

**FCC DECLARATION OF CONFORMANCE**

This device complies with Part 15 of the FCC Rules. Operation is subject to the following two conditions: (1) this device may not cause harmful interference, and (2) this device must accept any interference received, including interference that may cause undesired operation.

**CLASS B**

This equipment has been tested and found to comply with the limits for a Class B digital device, pursuant to Part 15 of the FCC Rules. These limits are designed to provide reasonable protection against harmful interference in residential installation. This equipment generates, uses, and can radiate radio frequency energy and, if not installed and used in accordance with the instructions, may cause harmful interference to radio communications.

However, there is no guarantee that interference will not occur in a particular installation. If this equipment does cause harmful interference to radio or television reception, which can be determined by turning the equipment off and on, the user is encouraged to try to correct the interference by one or more of the following measures:

- Reorient or relocate the receiving antenna.
- Increase the separation between the equipment and receiver.
- Connect the equipment into an outlet on a circuit different from that to which the receiver is connected.
- Consult the dealer or an experienced radio/TV technician for help.

CAUTION: Any changes or modifications made to this equipment may void the user's authority to operate this equipment.

**China RoHS 2 table**

China RoHS 2 refers to the Ministry of Industry and Information Technology Order No. 32, effective July 1, 2016, titled Management Methods for the Restriction of the Use of Hazardous Substances in Electrical and Electronic Products. To comply with China RoHS 2, we determined this product's Environmental Protection Use Period (EPU) to be 20 years in accordance with the Marking for the Restricted Use of Hazardous Substances in Electronic and Electrical Products, SJ/T 11364-2014.

中国RoHS2是指2016年7月1日起施行的工业和信息化部令第32号“电力电子产品限制使用有害物质管理办法”。为了符合中国RoHS2的要求，我们根据“电子电气产品有害物质限制使用标识”[SJ/T 11364-2014]确定本产品的环保使用期(EPU)为20年。

部件名称 Part Name	有害物质 Hazardous Substances					
	铅 (Pb)	汞 (Hg)	镉 (Cd)	六价铬 (Cr <sup>VI</sup> )	多溴联苯 (PBB)	多溴二苯醚 (PBDE)
外接硬盘印刷电路板 Bridge PCBA	X	O	O	O	O	O
电源 (如果提供) Power Supply (if provided)	X	O	O	O	O	O
接口电缆 (如果提供) Interface cable (if provided)	X	O	O	O	O	O
其他外壳组件 Other enclosure components	O	O	O	O	O	O

本表格依据 SJ/T 11364 的规定编制。  
This table is prepared in accordance with the provisions of SJ/T 11364-2014

O: 表示该有害物质在该部件所有均质材料中的含量均在 GB/T 26572 规定的限量要求以下。  
O: Indicates that the hazardous substance contained in all of the homogeneous materials for this part is below the limit requirement of GB/T26572.

X: 表示该有害物质至少在该部件的某一均质材料中的含量超出 GB/T 26572 规定的限量要求。  
X: Indicates that the hazardous substance contained in at least one of the homogeneous materials used for this part is above the limit requirement of GB/T26572.

**Taiwan RoHS table**

Taiwan RoHS refers to the Taiwan Bureau of Standards, Metrology and Inspection's (BSMI's) requirements in standard CNS 15663. Guidance to reduction of the restricted chemical substances in electrical and electronic equipment. Beginning on January 1, 2018, Seagate products must comply with the "Marking of presence" requirements in Section 5 of CNS 15663. This product is Taiwan RoHS compliant.

The following table meets the Section 5 "Marking of presence" requirements.

台灣RoHS是指台灣經濟部標準檢驗局(BSMI)對標準 CNS 15663 要求的減排電子電氣設備限用化學物質指引。從2018年1月1日起，Seagate 產品必須符合 CNS 15663 第 5 節「含有標示」要求。本產品符合台灣 RoHS。

下表符合第 5 節「含有標示」要求。

單元 Unit	Product Name: Lyve Mobile Mount, Model: SMSE001					
	限用物質及其化學符號 Restricted Substance and its chemical symbol					
	鉛 (Pb)	汞 (Hg)	鎘 (Cd)	六價鉻 (Cr <sup>VI</sup> )	多溴聯苯 (PBB)	多溴二苯醚 (PBDE)
外接硬盤印刷電路板 Bridge PCBA	—	O	O	O	O	O
電源 (如果提供) Power Supply (if provided)	—	O	O	O	O	O
傳輸線材 (如果提供) Interface cable (if provided)	—	O	O	O	O	O
其他外壳组件 Other enclosure components	O	O	O	O	O	O

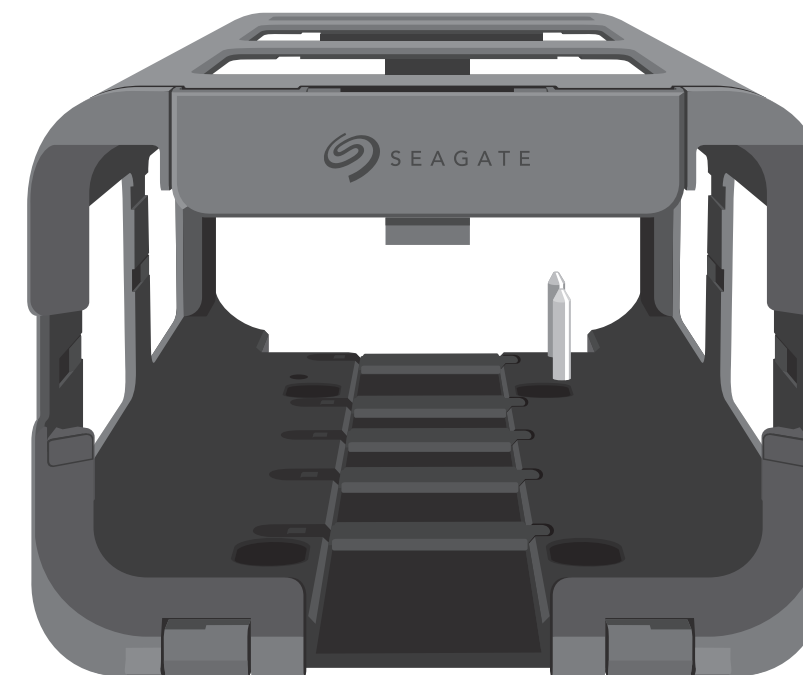
備考 1. "O" 係指該項限用物質之百分比含量未超出百分比含量基準值。  
Note 1. "O" indicates that the percentage content of the restricted substance does not exceed the percentage of reference value of presence.

備考 2. "—" 係指該項限用物質為排除項目。  
Note 2. "—" indicates that the restricted substance corresponds to the exemption.

この装置は、クラスB機器です。この装置は、住宅環境で使用することを目的としていますが、この装置がラジオやテレビジョン受信機に近接して使用されると、受信障害を引き起こすことがあります。取扱説明書に従って正しい取り扱いをして下さい。 VCCI—B



# LYVE™ Mobile Mount



© 2023 Seagate Technology LLC. All rights reserved. Seagate, Seagate Technology and the Spiral logo are registered trademarks of Seagate Technology LLC in the United States and/or other countries. Lyve is either a trademark or registered trademark of Seagate Technology LLC or one of its affiliated companies in the United States and/or other countries. The PCIe word mark and/or PCIExpress design mark are registered trademarks and/or service marks of PCI-SIG. All other trademarks or registered trademarks are the property of their respective owners. Complying with all applicable copyright laws is the responsibility of the user. Seagate reserves the right to change, without notice, product offerings or specifications.

Seagate Technology LLC., 47488 Kato Road, Fremont, CA 94538 USA www.seagate.com

Seagate Technology NL B.V., Tupolevlaan 105, 1119 PA Schiphol-Rijk NL

Seagate Technology NL B.V. (UK Branch), Jubilee House, Globe Park, 3rd Ave, Marlow SL7 1EY, UK

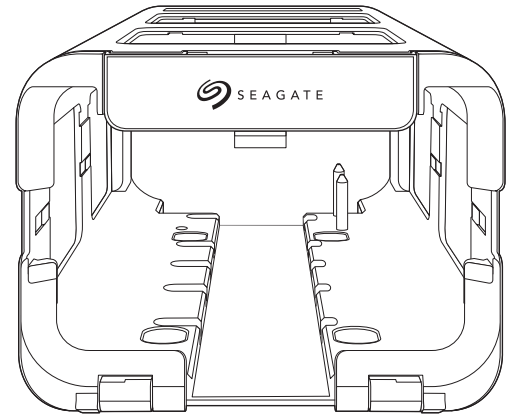
Seagate Singapore International Headquarters Pte. Ltd., 90 Woodlands Avenue 7 Singapore 737911

PN: 203651700C 06/23

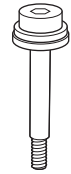


## QUICK START GUIDE

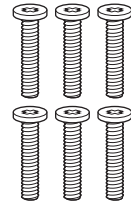
# Part List



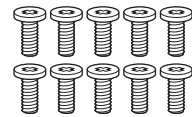
Lyve™ Mobile Mount



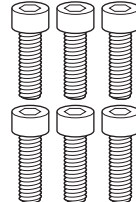
Shoulder screw  
8 mm x M6-1.0 x  
47+L13 (16.0,6.3) (x1)



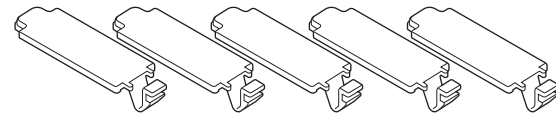
M3-0.5 x L16 (5.8,1.0),  
Phillips screw (6x)



M3-0.5 x L7 (5.8,1.0),  
Phillips screw (10x)



M6-0.1 x L20 (10.0,6),  
hex socket cap screw (6x)



Cable holder cover (5x)

# Setup Requirements

## Lyve Mobile Security

Lyve Mobile offers two ways for project admins to manage how end users securely access Lyve Mobile storage devices:

### Lyve Portal Identity

End users authorize client computers to access Lyve Mobile devices using their Lyve Management Portal credentials. Requires an internet connection for initial setup and periodic reauthorization through Lyve Management Portal.

### Lyve Token Security

End users are provided with Lyve Token files that can be installed on certified client computers and Lyve Mobile Padlock devices. Once configured, computers/Padlock devices unlocking Lyve Mobile devices do not require continual access to Lyve Management Portal or the internet.



For details on setting up security, go to  
[www.seagate.com/lyve-security](http://www.seagate.com/lyve-security).

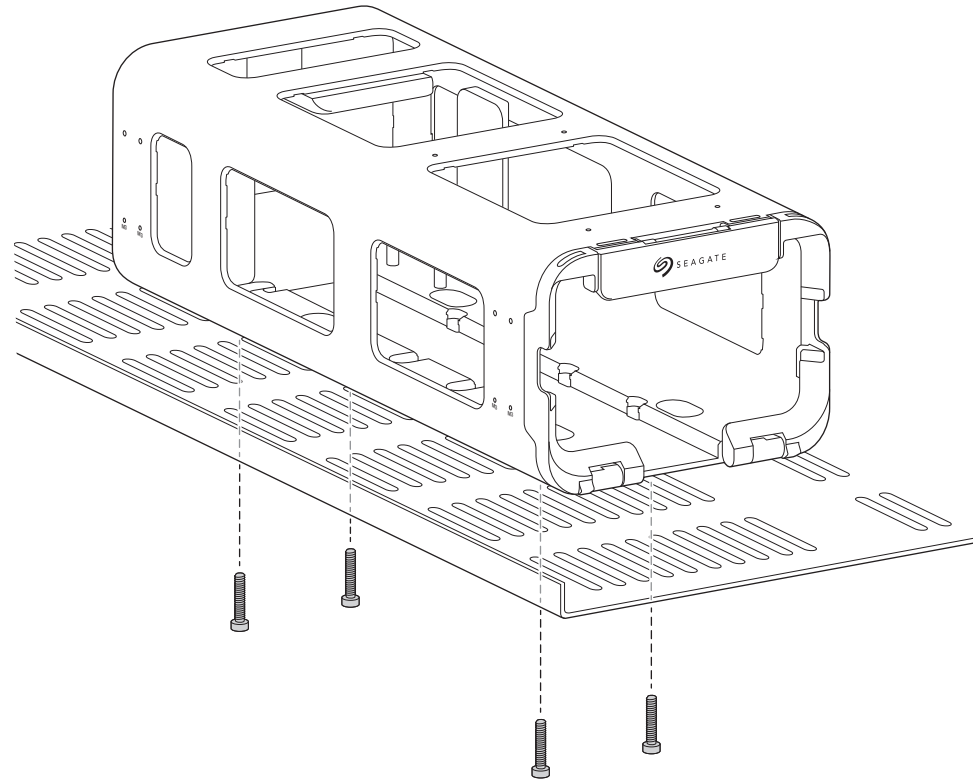
## Mounting slots



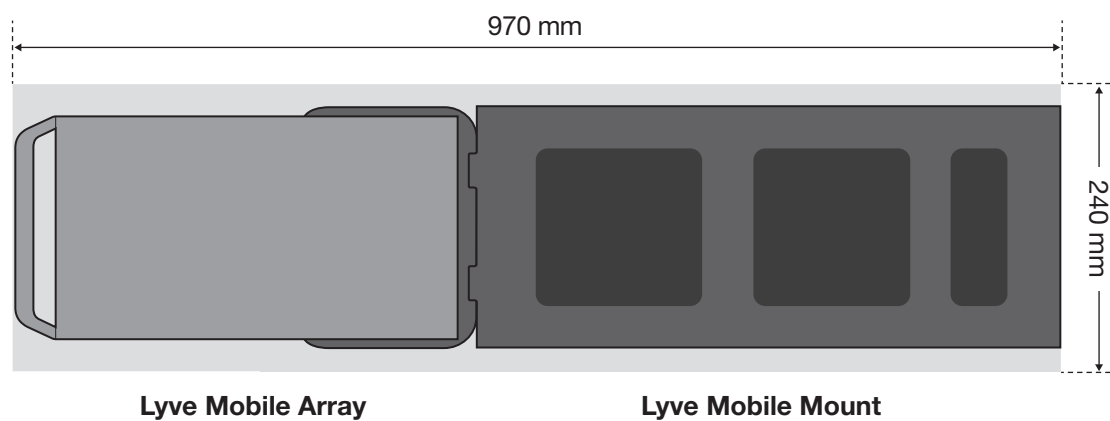
**Lifting hazard.** The following instructions include moving and installing heavy equipment. To avoid injury, always use proper lifting techniques.

Do not attempt to lift or assemble Lyve Mobile Mount with compatible devices inserted.

Before installing Lyve Mobile Array, ensure that Lyve Mobile Mount is securely fixed to the vehicle to avoid excessive motion. Attach Lyve Mobile Mount to the appropriate surface by inserting M6-0.1 x L20 (10.0,6) socket cap screws into any of the M6 tap holes on the bottom of the mount. Use at least four screws to secure the mount (two at the front of the mount, and two at the back).

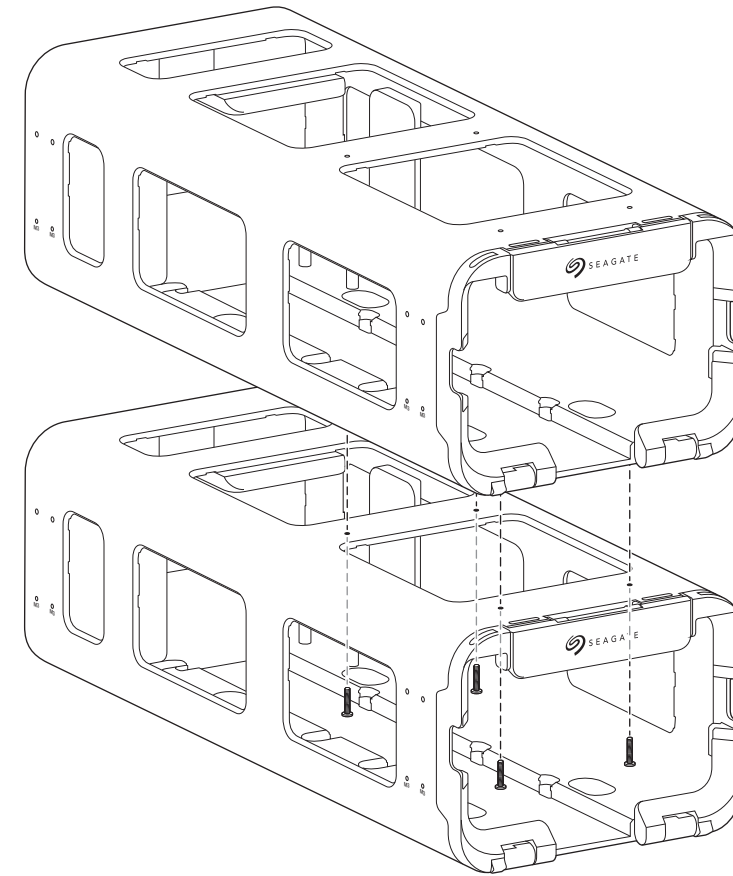


## Recommended clearance zones



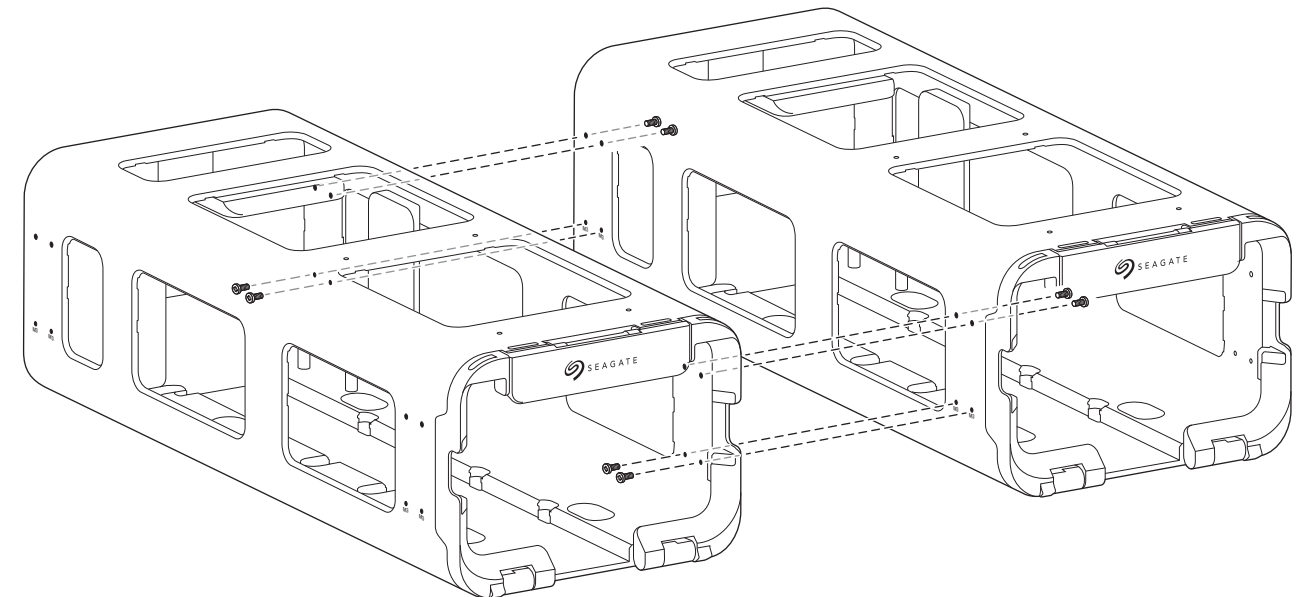
## Connecting Lyve Mobile Mounts Vertically

Stack two Lyve Mobile Mounts and align the six attachment holes on the top and bottom of the mounts. Use four M3-0.5 x L16 (5.8,1.0) screws to attach the two mounts.



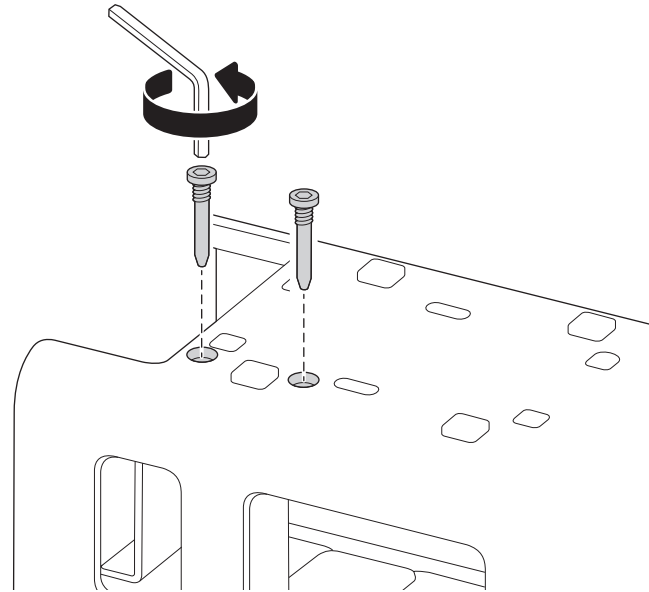
## Connecting Lyve Mobile Mounts Horizontally

Place two Lyve Mobile Mounts side-by-side and align the eight attachment holes on the sides of the mounts. Use eight M3-0.5 x L7 (5.8,1.0) screws to attach the two mounts.



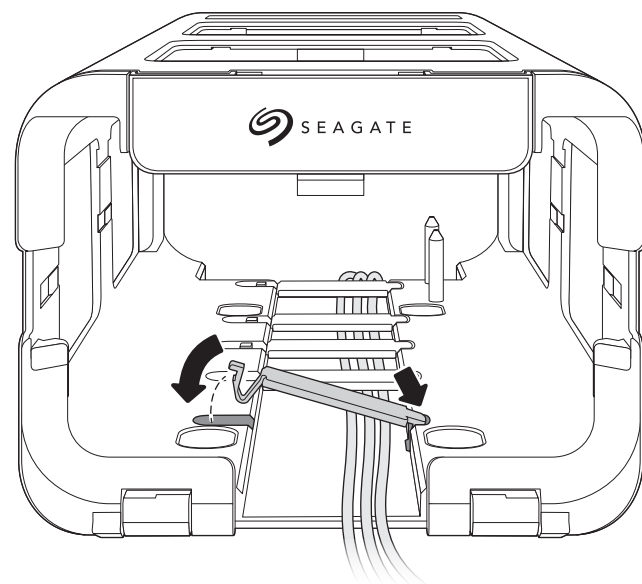
## Remove guide pins

Guide pins for use with a PCIe Adapter are preinstalled on Lyve Mobile Mount. If you are connecting a computer directly to Lyve Mobile Array's host Thunderbolt/USB-C port, you'll need to remove the guide pins. Use a 6mm hex key wrench to unscrew the guide pins from the bottom of Lyve Mobile Mount.



## (Optional) Route cables through the front of Lyve Mobile Mount

You can route cables through the front of Lyve Mobile Mount using the internal channel that runs the length of the mount. Five plastic cable holder covers are provided to secure the cables in the channel. To attach a cover, insert the rounded tab into a notch on the right side of the channel. Snap the hooked release tab into the corresponding slot on the left of the channel.

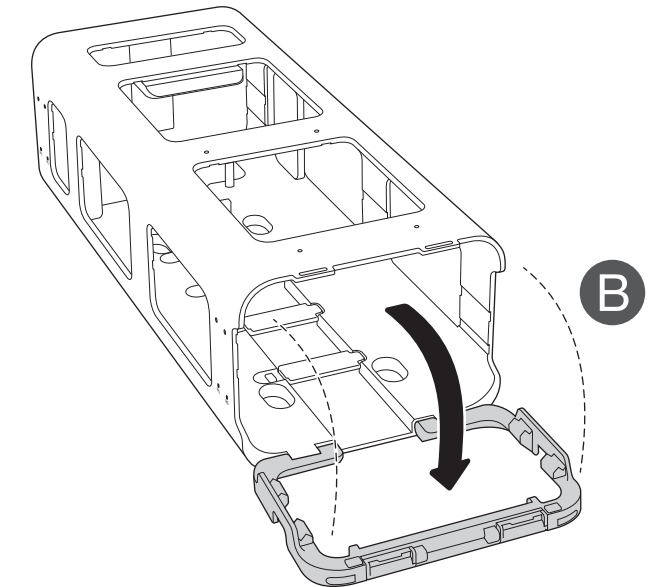
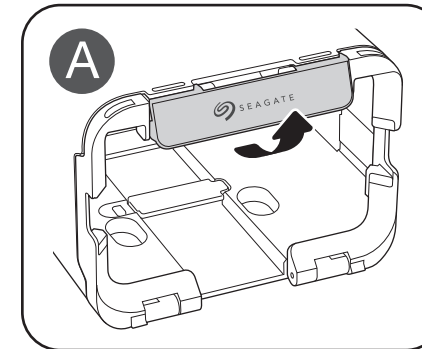


## Installation

1

### Release handle

- A Grasp the lock catch on the front of Lyve Mobile Mount and pull it forward to release the front lock bezel.
- B Lower the front lock bezel to open Lyve Mobile Mount.



2

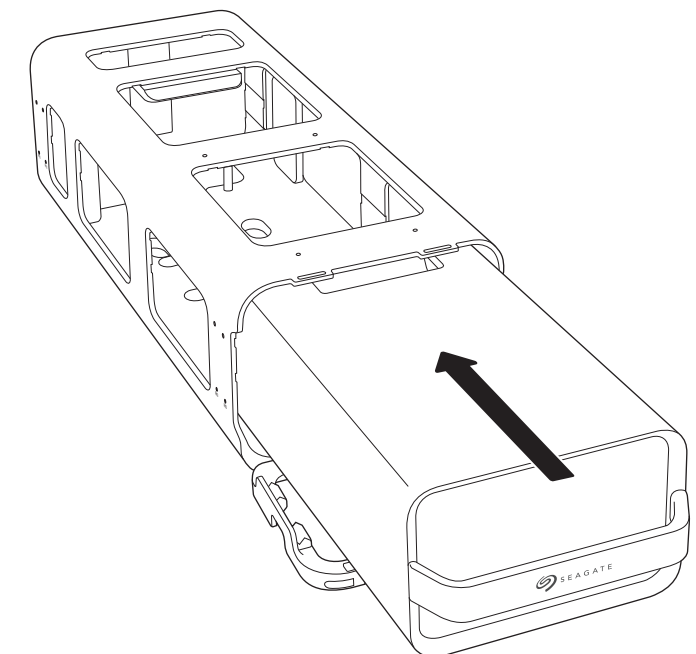
### Insert device

Insert the device with the ports facing the back of Lyve Mobile Mount. Slide the device toward the back of the mount.



**Lifting hazard.** To avoid injury, use proper lifting techniques when removing Lyve Mobile Array from its packaging and installing it in Lyve Mobile Mount.

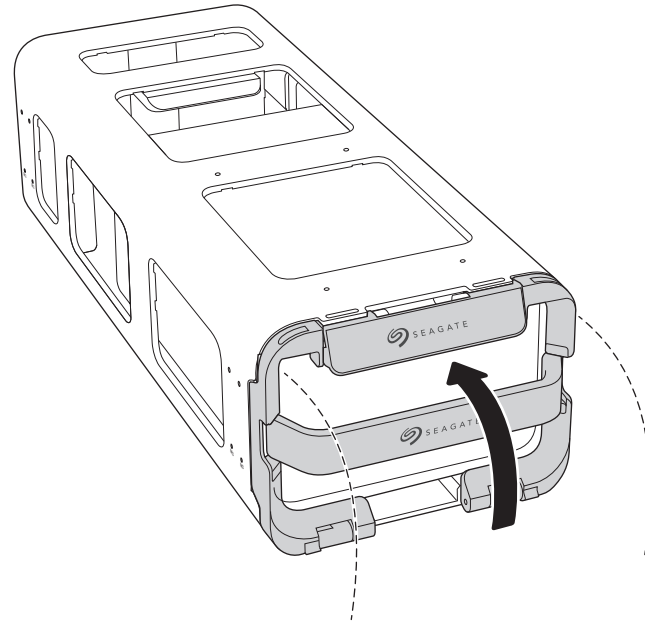
Lyve Mobile Array weight: 27.8 lb/12.6 kg



3

### Lock device in place

Raise the front lock bezel until it snaps in place.



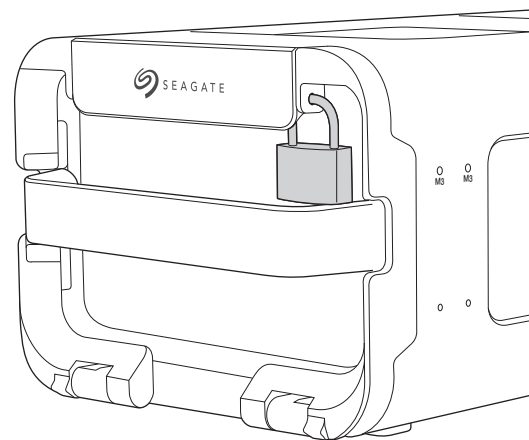
[www.seagate.com/lyve-mount-manual](http://www.seagate.com/lyve-mount-manual)



[www.seagate.com/support/mobile-mount](http://www.seagate.com/support/mobile-mount)

### Secure lock catch

The front lock bezel and lock catch can be secured with a padlock\*. Insert the padlock shackle through the openings to the right or left of the catch plate.



\* Padlock not included.