



SKYHAWK

SURVEILLANCE

SATA Product Manual

Standard models

ST2000LV000

ST1000LV000

100813751, Rev. E

February 2019

Document Revision History

Revision	Date	Pages affected and Description of change
Rev. A	12/13/2016	Initial release.
Rev. B	02-23-2017	5: Updated 24 x 7 surveillance bullets 6-7 & 13: Added case temperature footnote 6 & 8: 1TB weight - 90g 7: Added Power-off/Flush Command note after Table 1 7 & 16: Removed Rated Workload sections 16: Added Section 2.11.1 Data loss under power interruption with write cache enabled 19-20: Updated mechanical drawings
Rev. C	10-06-2017	17-20: Updated Sections 2.12 through 2.13.3 22-24: Updated Figures 4-6 (mechanical drawings)
Rev. D	08-17-2018	20: Updated Table 11: Taiwan - Restricted Substances
Rev. E	02-01-2019	22: Added Section 3.3 Drive grounding & Figures 4 & 5. bc: Updated EMEA & APAC addresses

© 2019 Seagate Technology LLC. All rights reserved.

Publication number: 100813751, Rev. E February 2019

Seagate, Seagate Technology and the Spiral logo are registered trademarks of Seagate Technology LLC in the United States and/or other countries. SeaTools and 3D Defense System are either a trademark or registered trademark of Seagate Technology LLC or one of its affiliated companies in the United States and/or other countries. The FIPS logo is a certification mark of NIST, which does not imply product endorsement by NIST, the U.S., or Canadian governments. All other trademarks or registered trademarks are the property of their respective owners.

No part of this publication may be reproduced in any form without written permission of Seagate Technology LLC.
Call 877-PUB-TEK1(877-782-8351) to request permission.

When referring to drive capacity, one gigabyte, or GB, equals one billion bytes and one terabyte, or TB, equals one trillion bytes. Your computer's operating system may use a different standard of measurement and report a lower capacity. In addition, some of the listed capacity is used for formatting and other functions, and thus will not be available for data storage. Actual quantities will vary based on various factors, including file size, file format, features and application software. Actual data rates may vary depending on operating environment and other factors. The export or re-export of hardware or software containing encryption may be regulated by the U.S. Department of Commerce, Bureau of Industry and Security (for more information, visit www.bis.doc.gov), and controlled for import and use outside of the U.S. Seagate reserves the right to change, without notice, product offerings or specifications.

Seagate® Technology Support Services	5
---	----------

1.0 Introduction	6
1.1 About the Serial ATA Interface	6

2.0 Drive Specifications	7
2.1 Formatted Capacity	8
2.1.1 LBA mode	8
2.2 Physical organization	9
2.3 Recording and Interface Technology	9
2.4 Physical Characteristics	9
2.5 Seek time	9
2.6 Start/stop times	10
2.7 Power Specifications	10
2.7.1 Power consumption	10
2.7.2 Conducted noise	13
2.7.3 Supply Voltage	13
2.7.4 Power management modes	13
2.8 Environmental Specifications	14
2.8.1 Shock	14
2.8.2 Vibration	15
2.9 Acoustics	15
2.9.1 Test for prominent discrete tones (PDTs)	15
2.10 Electromagnetic Immunity	16
2.10.1 DC Magnetic Field Immunity	16
2.11 Reliability	16
2.11.1 Data loss under power interruption with write cache enabled	17
2.12 Agency and Safety Certifications	17
2.12.1 Safety certification	17
2.12.2 European Union (EU) CE Marking Requirements	17
2.12.3 Australian RCM Compliance Mark	17
2.12.4 Canada ICES-003	17
2.12.5 South Korean KC Certification Mark	18
2.12.6 Morocco Commodity Mark	18
2.12.7 Taiwanese BSMI	18
2.12.8 FCC verification	18
2.13 Environmental protection	19
2.13.1 European Union Restriction of Hazardous Substance Law	19
2.13.2 China Requirements —China RoHS 2	19
2.13.3 Taiwan Requirements — Taiwan RoHS	20
2.14 Corrosive Environment	20

3.0	Configuring and Mounting the Drive	21
3.1	Handling and Static-Discharge Precautions	21
3.2	Configuring the Drive	21
3.2.1	Serial ATA Cables and Connectors	21
3.3	Drive Grounding	22
3.4	Drive Mounting	23

4.0	Serial ATA (SATA) Interface	26
4.1	Hot-Plug Compatibility	26
4.2	Serial ATA Device Plug Connector Pin Definitions	26
4.3	Supported ATA Commands	27
4.3.1	Identify Device command	29
4.3.2	Set Features command	33
4.3.3	S.M.A.R.T. commands	34

Figure 1	Typical 1D - 5V Startup and Operation Current Profile	11
Figure 2	Typical 2D - 5V Startup and Operation Current Profile	12
Figure 3	Attaching SATA Cabling	21
Figure 4	Drive Grounding Side Mounting for 1-disk and 2-disk models)	22
Figure 5	Drive Grounding Bottom Mounting for 1-disk and 2-disk models	22
Figure 6	Mounting Dimensions (for 1-disk models)	23
Figure 7	Mounting Dimensions (for 1-disk models) (alternate basedeck)	24
Figure 8	Mounting Dimensions (for 2-disk models)	25

Seagate® Technology Support Services

For information regarding online support and services, visit: <http://www.seagate.com/contacts/>

For information regarding Warranty Support, visit: <http://www.seagate.com/support/warranty-and-replacements/>

For information regarding data recovery services, visit: <http://www.seagate.com/services-software/recover/>

For Seagate OEM, Distribution partner and reseller portals, visit: <http://www.seagate.com/partners/>

1.0 Introduction

This manual describes the functional, mechanical and interface specifications for the following Seagate® SkyHawk™ model drives:

Standard models
ST2000LV000
ST1000LV000

These drives provide the following key features:

- 1000 Gs non-operating shock and 400 Gs of operating shock.
- 128MB buffer.
- 5400-RPM spindle speed.
- ATA streaming support sustains recordings up to 8 HD cameras for smooth, uninterrupted footage.
- Best-in-class acoustic performance means virtually silent operation
- Built-in error recovery for non-stop video streaming
- Enhanced caching capabilities enable superior video recording quality.
- Full-track multiple-sector transfer capability without local processor intervention.
- High instantaneous (burst) data-transfer rates (up to 6Gb/s).
- ImagePerfect™ firmware supports 24x7 surveillance-optimized workload
- IntelliRV uses positioning and shock sensors in the drive for better vibration performance.
- MTC Technology™, proprietary data flow management
- Native Command Queuing with command ordering to increase performance in demanding applications.
- Reliability for 24x7 surveillance application.
- SeaTools™ diagnostic software performs a drive self-test that eliminates unnecessary drive returns.
- Shingled magnetic recording with perpendicular magnetic recording heads/media.
- State-of-the-art cache and on-the-fly error-correction algorithms.
- Support for Read Multiple and Write Multiple commands.
- Support for S.M.A.R.T. drive monitoring and reporting.
- Worldwide Name (WWN) capability uniquely identifies the drive.

1.1 About the Serial ATA Interface

The Serial ATA interface provides several advantages over the traditional (parallel) ATA interface. The primary advantages include:

- Easy installation and configuration with true plug-and-play connectivity. It is not necessary to set any jumpers or other configuration options.
- Thinner and more flexible cabling for improved enclosure airflow and ease of installation.
- Scalability to higher performance levels.

In addition, Serial ATA makes the transition from parallel ATA easy by providing legacy software support. Serial ATA was designed to allow users to install a Serial ATA host adapter and Serial ATA disk drive in the current system and expect all of the existing applications to work as normal.

The Serial ATA interface connects each disk drive in a point-to-point configuration with the Serial ATA host adapter. There is no master/slave relationship with Serial ATA devices like there is with parallel ATA. If two drives are attached on one Serial ATA host adapter, the host operating system views the two devices as if they were both “masters” on two separate ports. This essentially means both drives behave as if they are Device 0 (master) devices.

Note

The host adapter may, optionally, emulate a master/slave environment to host software where two devices on separate Serial ATA ports are represented to host software as a Device 0 (master) and Device 1 (slave) accessed at the same set of host bus addresses. A host adapter that emulates a master/slave environment manages two sets of shadow registers. This is not a typical Serial ATA environment.

The Serial ATA host adapter and drive share the function of emulating parallel ATA device behavior to provide backward compatibility with existing host systems and software. The Command and Control Block registers, PIO and DMA data transfers, resets, and interrupts are all emulated.

The Serial ATA host adapter contains a set of registers that shadow the contents of the traditional device registers, referred to as the Shadow Register Block. All Serial ATA devices behave like Device 0 devices. For additional information about how Serial ATA emulates parallel ATA, refer to the *Serial ATA International Organization: Serial ATA* (Revision 3.2). The specification can be downloaded from www.serialata.org.

2.0 Drive Specifications

Unless otherwise noted, all specifications are measured under ambient conditions, at 25°C, and nominal power. For convenience, the phrases *the drive* and *this drive* are used throughout this manual to indicate the following drive models:

The specification summaries listed in the following tables are for quick reference. For details on specification measurement or definition, refer to the appropriate section of this manual.

Table 1 Drive Specifications Summary

Drive Specification	ST2000LV000	ST1000LV000
Formatted capacity ⁽¹⁾	2TB	1TB
Guaranteed sectors	3,907,029,168	1,953,525,168
Heads	4	2
Disks	2	1
Bytes per sector	512 (logical) / 4096 (physical)	
Recording density	2276 Kb/in	
Track density	580 Ktracks/in avg	
Areal density	1320 Gb/in ² avg	
Spindle speed	5400 RPM	
Maximum sustained data rate, OD read	140 MB/s	
Interface	SATA 6Gb/s	
ATA data-transfer modes supported	PIO modes 0–4 Multiword DMA modes 0–2 Ultra DMA modes 0–6	
Cache buffer	128 MB	
Height (mm/in)	7.0 (± 0.2) / 0.276 (± 008)	
Width (mm/in)	69.85 (± 0.25) / 2.750 (± 0.010)	
Length (mm/in)	100.35 (+0.20/-0.25) / 3.951 (+0.008/-0.010)	
Weight (g/lb) max	90 / 0.198	
Average latency	5.6 ms	
Startup current, Max (+5V)	1.0 A	
Voltage tolerance (including noise)	5V ± 5%	
Non-Operating (Ambient °C)	–40° to 70°	
Operating temperature *	0° to 60°†	
Temperature gradient	20°C per hour max (operating) 35°C per hour max (non-operating)	
Relative humidity	5% to 95% (operating) 5% to 95% (non-operating)	
Relative humidity gradient (max)	30% per hour	
Wet bulb temperature	37.7°C max (operating) 40.0°C max (non-operating)	
Altitude, operating	–304.8 m to 3048 m (–1000 ft to 10,000+ ft)	
Altitude, non-operating (below mean sea level, max)	–304.8 m to 12,192 m (–1000 ft to 40,000+ ft)	
Operational Shock	400 Gs at 2 ms max	

Table 1 Drive Specifications Summary (continued)

Drive Specification	ST2000LV000	ST1000LV000
Non-Operational Shock	1000 Gs at 1 ms max	
Linear Operating Vibration	5 - 200Hz @ 2.4 Grms ref	
Rotational Operating Vibration	10 - 500Hz @ 15 rad/s ²	
Vibration, non-operating	5-500 Hz: 5.0 Gs	
Non-recoverable read errors	1 per 10 ¹⁴ bits read	
Warranty	To determine the warranty for a specific drive, use a web browser to access the following web page: http://www.seagate.com/support/warranty-and-replacements/ . From this page, click on the "Is my Drive under Warranty" link. The following are required to be provided: the drive serial number, model number (or part number) and country of purchase. The system will display the warranty information for the drive.	
Load-unload cycles	600,000 at 25°C, 50% rel. humidity	
Supports Hotplug operation per the Serial ATA Revision 3.2 specification	Yes	

1. One GB equals one billion bytes when referring to hard drive capacity. Accessible capacity may vary depending on operating environment and formatting.
- † Seagate does not recommend operating at sustained case temperatures above 60°C. Operating at higher temperatures will reduce useful life of the product.
- * The operating case temperature is 0 to 70°C (32 to 158°F). The recommended measurement location can be found in [Section 3.4, Drive Mounting, Figure 6](#) and [Figure 8](#).

Note

If the drive is powered-off before issuing flush cache command, in some instances, the end user data in the DRAM cache might not be committed to the disk.

2.1 Formatted Capacity

Model	Formatted Capacity ⁽¹⁾	Guaranteed Sectors	Bytes per Sector
2TB model	2000 GB	3,907,029,168	512 (logical) / 4096 (physical)
1TB model	1000 GB	1,953,525,168	

1. One GB equals one billion bytes when referring to hard drive capacity. Accessible capacity may vary depending on operating environment and formatting.

2.1.1 LBA mode

When addressing these drives in LBA mode, all blocks (sectors) are consecutively numbered from 0 to $n-1$, where n is the number of guaranteed sectors as defined above.

Refer to [Configuring and Mounting the Drive](#) on page 21 (words 60-61 and 100-103) for additional information about 48-bit addressing support of drives with capacities over 137 GB.

2.2 Physical organization

Drive model	Read/write heads	Number of discs
ST2000LV000	4	2
ST1000LV000	2	1

2.3 Recording and Interface Technology

Interface	SATA 6Gb/s
Recording method	Perpendicular
Recording density	2276 Kb/in
Track density	580 ktracks/in avg
Areal density	1320 Gb/in ² avg
Spindle speed	5400 RPM
Data transfer rate (up to)	140 MB/s

2.4 Physical Characteristics

Height (mm/in)	7.0 (± 0.2) / 0.276 (± 008)
Width (mm/in)	69.85 (± 0.25) / 2.750 (± 0.010)
Length (mm/in)	100.35 (+0.20/-0.25) / 3.951 (+0.008/-0.010)
Typical weight (g/lb)	90 / 0.198
Cache buffer	128MB

2.5 Seek time

Seek measurements are taken with nominal power at 25°C ambient temperature. All times are measured using drive diagnostics. The specifications in the table below are defined as follows:

- Track-to-track seek time is an average of all possible single-track seeks in both directions.
- Average seek time is a true statistical random average of at least 5000 measurements of seeks between random tracks, less overhead.

Table 2 Typical seek times

Typical seek times (ms)	Read
Track-to-track	1.5
Average	13.0
Average latency	5.6

Note

These drives are designed to consistently meet the seek times represented in this manual. Physical seeks, regardless of mode (such as track-to-track and average), are expected to meet the noted values. However, due to the manner in which these drives are formatted, benchmark tests that include command overhead or measure logical seeks may produce results that vary from these specifications.

2.6 Start/stop times

Table 3 Start/stop times

Capacity	1-disk models	2-disk models	1-disk models	2-disk models
Typical seek times (ms)	Typical		Max @ 25°C	
Power-on to ready (sec)	2.8	3.3	3.0	3.5
Standby to ready (sec)	2.5		3.0	

2.7 Power Specifications

The drive receives DC power (+5V) through a native SATA power connector (refer to [Figure 3](#)).

2.7.1 Power consumption

Power requirements for the drives are listed in the table in [Table 4](#). Typical power measurements are based on an average of drives tested, under nominal conditions, at 25°C ambient temperature. These power measurements are done with DIPM enabled.

- Spinup current is measured from the time of power-on to the time that the drive spindle reaches operating speed.
- Read/Write current is measured with the heads on track, based on three 64 sector read or write operations every 100 ms.
- The drive supports three idle modes: Performance Idle mode, Active Idle mode and Low Power Idle mode. Refer to Section 2.7.4 for power-management modes.

Table 4 DC Power Requirements

Power Dissipation	1-disk models +5V input average (25° C)	2-disk models +5V input average (25° C)
Spinup (max)	1.00A	
Write average	1.70W	1.80W
Read average	1.60W	1.70W
Idle, low power mode	0.45W	0.50W
Standby ⁽¹⁾	0.13W	
Sleep	0.13W	

1. Standby power is measured at steady state (after 200ms from transition)

2.7.1.1 Typical current profiles

The typical 5V startup and operation current profile is shown in [Figure 1](#) and [Figure 2](#).

Figure 1 Typical 1D - 5V Startup and Operation Current Profile

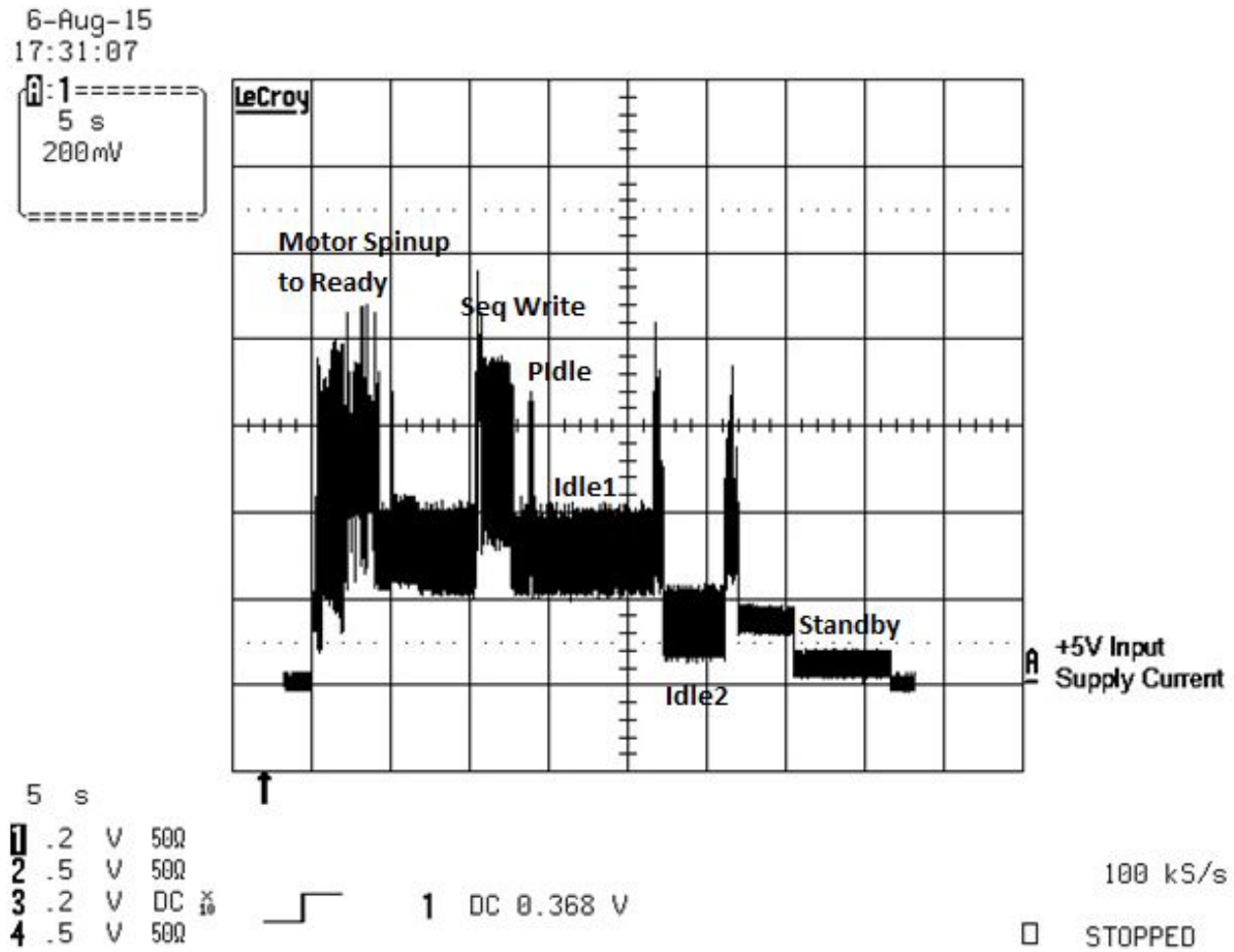
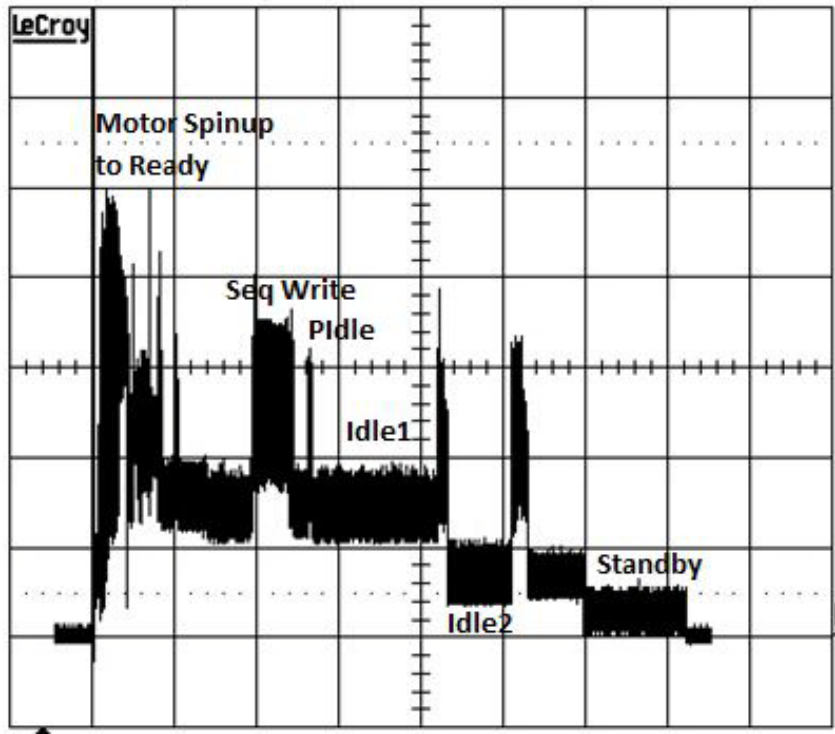


Figure 2 Typical 2D - 5V Startup and Operation Current Profile

6-Aug-15
16:45:14

1
5 s
200mV



+5V Input
Supply Current

5 s

- 1 .2 V 50Ω
- 2 .5 V 50Ω
- 3 .2 V DC ×10
- 4 .5 V 50Ω



1 DC 0.368 V

100 kS/s

STOPPED

2.7.2 Conducted noise

Input noise ripple is measured at the host system power supply across an equivalent 15-ohm resistive load on the +5 volt line.

- Using 5-volt power, the drive is expected to operate with a maximum of 100 mV peak-to-peak square-wave injected noise at up to 20 MHz.

Note	Equivalent resistance is calculated by dividing the nominal voltage by the typical RMS read/write current.
-------------	--

2.7.3 Supply Voltage

Allowable voltage	5V \pm 5%
Allowable noise/ripple	100 p-p max, 0-20 MHz
Allowable supply rise time	<100 ms

2.7.4 Power management modes

The drive provides programmable power management to provide greater energy efficiency. In most systems, power management is controlled through the system setup program. The drive features the following power-management modes:

Table 5 Power modes

Power modes	Heads	Spindle	Electronics
Active (operating)	Tracking	Rotating	Full power
Idle, performance	Tracking	Rotating	Partial Power
Idle, active	Floating	Rotating	Partial Power
Idle, low power	Parked	Rotating	Partial Power
Standby	Parked	Stopped	Low Power
Sleep	Parked	Stopped	Low Power

- Active mode**

The drive is in Active mode during the read/write and seek operations.

- Idle mode**

The electronics remains powered, and the drive accepts all commands and returns to Active mode when disk access is necessary.

- Standby mode**

The drive enters Standby mode immediately the host sends a Standby Immediate command. If the host has set the standby timer, the drive can also enter Standby mode automatically after the drive has been inactive for a specifiable length of time. The standby timer delay is established using a Standby or Idle command. In Standby mode, the electronics are in low power mode, the heads are parked and the spindle is at rest. The drive accepts all commands and returns to Active mode when disk access is necessary.

- Sleep mode**

The drive enters Sleep mode after receiving a Sleep command from the host. In Sleep mode, the electronics are in low power mode, the heads are parked and the spindle is at rest. The drive leaves Sleep mode after it receives a Hard Reset or Soft Reset from the host. After receiving a reset, the drive exits Sleep mode and enters Standby mode.

- Idle and standby timers**

Each time the drive performs an active function (read, write or seek), the standby timer is reinitialized and begins counting down from its specified delay times to zero. If the standby timer reaches zero before any drive activity is required, the drive makes a transition to standby mode. In both Idle and standby mode, the drive accepts all commands and returns to active mode when disk access is necessary.

2.8 Environmental Specifications

This section provides the temperature, humidity, shock, and vibration specifications for SkyHawk drives.

Ambient temperature is defined as the temperature of the environment immediately surrounding the drive.

Above 1000 feet (305 meters), the maximum temperature is derated linearly by 1°C every 1000 feet.

Table 6 Environmental specifications

Parameters	Operating	Non-Operating
Ambient temperature *	0° to 60°C (32° to 140°F)	-40° to 70°C (-40° to 158°F)
Temperature gradient	20°C per hour (36°F per hour) max, without condensation	35°C per hour (63°F per hour) max, without condensation
Humidity	5% to 95% non-condensing (30% per hour)	5% to 95% non-condensing (30% per hour)
Wet bulb	37.7°C (99.8°F) max	40°C (104°F) max
Altitude	-304.8m to 3048m (-1000ft to 10,000ft)	-304.8m to 12,192m (-1000ft to 40,000ft)

* The operating case temperature is 0 to 70°C (32 to 158°F).
The recommended measurement location can be found in [Section 3.4, Drive Mounting, Figure 6](#) and [Figure 8](#).

Note	Seagate does not recommend operating at sustained case temperatures above 60°C. Operating at higher temperatures will reduce useful life of the product.
-------------	--

Note	The recommended storage period: <ul style="list-style-type: none"> • 1 year under controlled conditions of 34°C 90%RH or less • 90 days in uncontrolled storage conditions
-------------	--

2.8.1 Shock

All shock specifications assume that the drive is mounted securely with the input shock applied at the drive mounting screws. Shock may be applied in the X, Y, or Z axis.

2.8.1.1 Operating shock

These drives comply with the performance levels specified in this document when subjected to a maximum operating shock of 400 Gs based on half-sine shock pulses of 2ms. Shocks should not be repeated more than one time per axis.

2.8.1.2 Non-operating shock

The non-operating shock level that the drive can experience without incurring physical damage or degradation in performance when subsequently put into operation is 1000 Gs based on a nonrepetitive half-sine shock pulse of 1 ms duration.

2.8.2 Vibration

All vibration specifications assume that the drive is mounted securely with the input vibration applied at the drive mounting screws. Vibration may be applied in the X, Y, or Z axis.

2.8.2.1 Operating vibration

The maximum vibration levels that the drive may experience while meeting the performance standards specified in this document are specified below.

5 - 200Hz Linear Operating Vibration	2.4 Grms ref
10 - 500Hz Rotational Operating Vibration	15 rad/s ²

2.8.2.2 Non-operating vibration

The maximum non-operating vibration levels that the drive may experience without incurring physical damage or degradation in performance when subsequently put into operation are specified below.

5–500 Hz	5.0 Gs (0 to peak). Max displacement may apply below 22 Hz.
----------	---

2.9 Acoustics

Drive emission of sound is measured consistent with the ECMA-74 and its referenced standards. Testing is conducted at room temperature (approximately 25°C). Emission levels are reported as the total A-weighted sound power levels for steady state, idle, and active seeks modes of operation.

Table 7 Drive A-weighted Sound Power Levels (SWL, BA)

	1-disk models	2-disk models
Idle⁽¹⁾	2.0 bels (typ) 2.2 bels (max)	2.2 bels (typ) 2.4 bels (max)
Performance Seek	2.2 bels (typ) 2.4 bels (max)	2.4 bels (typ) 2.6 bels (max)

1. During periods of drive idle, some offline activity may occur according to the S.M.A.R.T. specification, which may increase acoustic and power to operational levels.

2.9.1 Test for prominent discrete tones (PDTs)

Seagate follows the ECMA-74 standards for measurement and identification of PDTs. An exception to this process is the use of the absolute threshold of hearing. Seagate uses the lower limit for the threshold curve* to discern tone audibility and to compensate for the inaudible components of sound prior to computation of tone ratios according to Annex D of the ECMA-74 standards.

*Defined as the median curve given by ISO 389-7 (Tf curve) minus 10dB at all frequencies.

2.10 Electromagnetic Immunity

When properly installed in a representative host system, the drive operates without errors or degradation in performance when subjected to the radio frequency (RF) environment as defined in [Table 8](#).

Table 8 Radio Frequency Environments

Test	Description	Performance Level	Reference Standard
Electrostatic discharge	Contact, HCP, VCP: ± 4 kV; Air: ± 8 kV	B	EN 61000-4-2: 95
Radiated RF immunity	80 to 1GHz, 3 V/m, 80% AM with 1 kHz sine 900 MHz, 3 V/m, 50% pulse modulation @ 200 Hz	A	EN 61000-4-3: 96 ENV 50204: 95
Electrical fast transient	± 1 kV on AC mains, ± 0.5 kV on external I/O	B	EN 61000-4-4: 95
Surge immunity	± 1 kV differential, ± 2 kV common, AC mains	B	EN 61000-4-5: 95
Conducted RF immunity	150 kHz to 80 MHz, 3 Vrms, 80% AM with 1 kHz sine	A	EN 61000-4-6: 97
Power Frequency H-field immunity	1 A/m, 50Hz/60Hz, 3 axes	A	EN 61000-4-8: 97
Voltage dips, interrupts	30% Reduction for 25 cycles >95% Reduction for 250 cycles >95%, 0.5 cycles	C C B	EN 61000-4-11: 94

2.10.1 DC Magnetic Field Immunity

Table 9 DC Magnetic Field Immunity

Test	Product Spec (Standalone)
DC Magnetic Field Immunity ^{1, 2, 3}	400 Gauss, RMS
¹ Field in Gauss at the drive envelope. Testing per procedures 20800109-349 and 20800109-350. ² Passing Field in Gauss at the drive envelope. In practice, testing is conducted using a fixed distance from the bottom of the magnet to the top of the drive. Calibration of the field vs. distance is done with a Hall probe with no magnetic materials present. ³ Testing to be done with magnet.375" dia. x 0.100" Ni-plated NdFeB; B, ~11.5 kG, magnetized along its length; the magnet is oriented with the length perpendicular to the drive cover/PCBA. Drive to be properly secured during test.	

2.11 Reliability

Non-recoverable read errors	1 per 10^{14} bits read, max
Power-on hours per year	8760
Load/Unload (U/UL) 25°C, 50% relative humidity	600,000 software-controlled power on/off cycles 20,000 hard power on/off cycles
Warranty	To determine the warranty for a specific drive, use a web browser to access the following web page: http://www.seagate.com/support/warranty-and-replacements/ . From this page, click on the "Is my Drive under Warranty" link. The following are required to be provided: the drive serial number, model number (or part number) and country of purchase. The system will display the warranty information for the drive.

2.11.1 Data loss under power interruption with write cache enabled

Drive preserves its data during all operations except in cases where power to the drive is interrupted during write operations. This could result in either an uncorrected data error being reported, or the entire sector/track becoming unreadable. This can be permanently recovered by rewriting to the same location on the drive. Additionally any data present in the DRAM buffer will not be written to the disk media, additionally, the drive will not be able to return the original data.

In order to prevent this data loss, the host should issue a standby immediate or flush cache command before a controlled power off operation to the drive.

2.12 Agency and Safety Certifications

Each Hard Drive and Solid State Drive ("drives") has a product label that includes certifications that are applicable to that specific drive. The following information provides an overview of requirements that may be applicable to the drive.

2.12.1 Safety certification

The drives are recognized in accordance with UL/cUL 60950-1 and EN 60950-1

The following regulatory model number represent all features and configurations within the series:

Regulatory Model Numbers: SDC001/SDC003

2.12.2 European Union (EU) CE Marking Requirements

Drives that display the CE mark comply with the European Union (EU) requirements specified in the Electromagnetic Compatibility Directive (2014/30/EU) put into force on 20 April 2016. Testing is performed to the levels specified by the product standards for Information Technology Equipment (ITE). Emission levels are defined by EN 55032:2012, Class B and the immunity levels are defined by EN 55024:2010.

The drives also meet the requirements of The Low Voltage Directive (LVD) 2014/35/EU.

Seagate drives are tested in representative end-user systems. Although CE-marked Seagate drives comply with all relevant regulatory requirements and standards for the drives, Seagate cannot guarantee that all system-level products into which the drives are installed comply with all regulatory requirements and standards applicable to the system-level products. The drive is designed for operation inside a properly designed system (e.g., enclosure designed for the drive), with properly shielded I/O cable (if necessary) and terminators on all unused I/O ports. Computer manufacturers and system integrators should confirm EMC compliance and provide CE marking for the system-level products.

For compliance with the RoHS "Recast" Directive 2011/65/EU (RoHS 2), [See Section 2.13.1 on page 19](#).

2.12.3 Australian RCM Compliance Mark

If these models have the RCM marking, they comply with the Australia/New Zealand Standard AS/NZ CISPR32 and meet the Electromagnetic Compatibility (EMC) Framework requirements of the Australian Communication and Media Authority (ACMA).

2.12.4 Canada ICES-003

If this model has the ICES-003:2016 marking it complies with requirements of ICES tested per ANSI C63.4-2014.

2.12.5 South Korean KC Certification Mark

The South Korean KC Certification Mark means the drives comply with paragraph 1 of Article 11 of the Electromagnetic Compatibility control Regulation and meet the Electromagnetic Compatibility (EMC) Framework requirements of the Radio Research Agency (RRA) Communications Commission, Republic of Korea. These drives have been tested and comply with the Electromagnetic Interference/ Electromagnetic Susceptibility (EMI/EMS) for Class B products. Drives are tested in a representative, end-user system by a Korean-recognized lab.

기종별	사용자안내문
B급 기기 (가정용 방송통신기자재)	이 기기는 가정용(B급) 전자파적합기기로서 주로 가정에서 사용하는 것을 목적으로 하며, 모든 지역에서 사용할 수 있습니다.

2.12.6 Morocco Commodity Mark

To satisfy our OEM customers, Seagate has added the Moroccan Commodity Mark to the drives provided to the OEM for the sale of Customer Kits produced by our OEM customers that are intended to be incorporated into the OEM's finished system-level product by an end user. The Customer Kits are considered 'devices' under Morocco's Order of the Minister of Industry, Trade, Investment and Digital Economy No. 2574-14 of 29 Ramadan 1436 (16 July 2015) on electromagnetic compatibility of equipment.

Seagate drives are tested for compliance and complies with the European Union (EU) Electromagnetic Compatibility (EMC) Directive 2014/30/EU and the Low Voltage Directive (LVD) 2014/35/EU. Accordingly, the drives also meets the requirements of Morocco's Order of the Minister of Industry, Trade, Investment and Digital Economy No. 2574-14 of 29 Ramadan 1436 (16 July 2015) on electromagnetic compatibility of equipment.

2.12.7 Taiwanese BSMI

Drives with the Taiwanese certification mark comply with Chinese National Standard, CNS13438.

For compliance with the Taiwan Bureau of Standards, Metrology and Inspection's (BSMI) requirements, [See Section 2.14.3 on page 20.](#)

2.12.8 FCC verification

These drives are intended to be contained solely within a personal computer or similar enclosure (not attached as an external device). As such, each drive is considered to be a subassembly even when it is individually marketed to the customer. As a subassembly, no Federal Communications Commission verification or certification of the device is required.

Seagate has tested this device in enclosures as described above to ensure that the total assembly (enclosure, disk drive, motherboard, power supply, etc.) does comply with the limits for a Class B computing device, pursuant to Subpart J, Part 15 of the FCC rules. Operation with noncertified assemblies is likely to result in interference to radio and television reception.

Radio and television interference. This equipment generates and uses radio frequency energy and if not installed and used in strict accordance with the manufacturer's instructions, may cause interference to radio and television reception.

This equipment is designed to provide reasonable protection against such interference in a residential installation. However, there is no guarantee that interference will not occur in a particular installation. If this equipment does cause interference to radio or television, which can be determined by turning the equipment on and off, users are encouraged to try one or more of the following corrective measures:

- Reorient the receiving antenna.
- Move the device to one side or the other of the radio or TV.
- Move the device farther away from the radio or TV.
- Plug the computer into a different outlet so that the receiver and computer are on different branch outlets.

If necessary, users should consult a dealer or an experienced radio/television technician for additional suggestions. Users may find helpful the following booklet prepared by the Federal Communications Commission: *How to Identify and Resolve Radio-Television Interference Problems*. This booklet is available from the Superintendent of Documents, U.S. Government Printing Office, Washington, DC 20402. Refer to publication number 004-000-00345-4.

2.13 Environmental protection

Seagate designs its products to meet environmental protection requirements worldwide, including regulations restricting certain chemical substances.

2.13.1 European Union Restriction of Hazardous Substance Law

2.13.1.1 Restriction of Hazardous Substances in Electrical and Electronic Equipment

Seagate drives are designed to be compliant with the European Union RoHS "Recast" Directive 2011/65/EU (RoHS 2) as amended by Directive (EU) 2015/863. The RoHS2 restricts the use of certain hazardous substances such as Lead, Cadmium, Mercury, Hexavalent Chromium, Polybrominated Biphenyls (PBB) and Polybrominated Diphenyl Ether (PBDE), BisBis(2-Ethylhexyl) phthalate (DEHP), Benzyl butyl phthalate (BBP), Dibutyl phthalate (DBP), and Diisobutyl phthalate (DIBP) in electrical and electronic equipment (EEE).

2.13.1.2 Substances of Very High Concern (SVHC)

The European Union REACH (Registration, Evaluation, Authorization and Restriction of Chemicals) Regulation (EC) 1907/2006 regulates chemicals shipped into and used in Europe. A number of parts and materials in Seagate products are procured from external suppliers. We rely on the representations of our suppliers regarding the presence of REACH substances in these articles and materials. Our supplier contracts require compliance with our chemical substance restrictions, and our suppliers document their compliance with our requirements by providing full-disclosure material content declarations that disclose inclusion of any REACH-regulated substance in such articles or materials. Product-specific REACH declarations are available upon request through your Seagate Sales Representative.

2.13.2 China Requirements —China RoHS 2



China RoHS 2 refers to the Ministry of Industry and Information Technology Order No. 32, effective July 1, 2016, titled Management Methods for the Restriction of the Use of Hazardous Substances in Electrical and Electronic Products. To comply with China RoHS 2, Seagate determines this product's Environmental Protection Use Period (EPUP) to be 20 years in accordance with the *Marking for the Restricted Use of Hazardous Substances in Electronic and Electrical Products*, SJ/T 11364-2014.

Table 10 China - Hazardous Substances

部件名称 Part Name	有害物质 Hazardous Substances					
	铅 (Pb)	汞 (Hg)	镉 (Cd)	六价铬 (Cr ⁺⁶)	多溴联苯 (PBB)	多溴二苯醚 (PBDE)
硬盘驱动器 HDD	X	O	O	O	O	O
印刷电路板组装 PCBA	X	O	O	O	O	O

本表格依据 SJ/T 11364 的规定编制。

This table is prepared in accordance with the provisions of SJ/T 11364-2014

O: 表示该有害物质在该部件所有均质材料中的含量均在 GB/T 26572 规定的限量要求以下。

O: Indicates that the hazardous substance contained in all of the homogeneous materials for this part is below the limit requirement of GB/T26572.

X: 表示该有害物质至少在该部件的某一均质材料中的含量超出 GB/T 26572 规定的限量要求。

X: Indicates that the hazardous substance contained in at least one of the homogeneous materials used for this part is above the limit requirement of GB/T26572.

2.14.3 Taiwan Requirements — Taiwan RoHS

Taiwan RoHS refers to the Taiwan Bureau of Standards, Metrology and Inspection's (BSMI) requirements in standard CNS 15663, Guidance to reduction of the restricted chemical substances in electrical and electronic equipment. Seagate products must comply with the "Marking of presence" requirements in Section 5 of CNS 15663, effective January 1, 2018. This product is Taiwan RoHS compliant.

The following table meets the Section 5 "Marking of presence" requirements.

Table 11 Taiwan - Restricted Substances

設備名稱：硬碟設備，型號： Equipment Name: Hard Disk Device, Type Designation:						
單元 Unit	限用物質及其化學符號 Restricted Substance and its chemical symbol					
	鉛 (Pb)	汞 (Hg)	鎘 (Cd)	六價鉻 (Cr+6)	多溴聯苯 (PBB)	多溴二苯醚 (PBDE)
頂蓋 Top Cover	—	0	0	0	0	0
磁碟 Magnetic disk	—	0	0	0	0	0
電機底座組件 Motor Base Assembly	—	0	0	0	0	0
印刷電路板組裝 PCB Assembly	—	0	0	0	0	0
備考 1. "0" 係指該項限用物質之百分比含量未超出百分比含量基準值。 Note 1. "0" indicates that the percentage content of the restricted substance does not exceed the percentage of reference value of presence. 備考 2. "—" 係指該項限用物質為排除項目。 Note 2. "—" indicates that the restricted substance corresponds to the exemption.						

2.14 Corrosive Environment

Seagate electronic drive components pass accelerated corrosion testing equivalent to 10 years exposure to light industrial environments containing sulfurous gases, chlorine and nitric oxide, classes G and H per ASTM B845. However, this accelerated testing cannot duplicate every potential application environment.

Users should use caution exposing any electronic components to uncontrolled chemical pollutants and corrosive chemicals as electronic drive component reliability can be affected by the installation environment. The silver, copper, nickel and gold films used in Seagate products are especially sensitive to the presence of sulfide, chloride, and nitrate contaminants. Sulfur is found to be the most damaging. In addition, electronic components should never be exposed to condensing water on the surface of the printed circuit board assembly (PCBA) or exposed to an ambient relative humidity greater than 95%. Materials used in cabinet fabrication, such as vulcanized rubber, that can outgas corrosive compounds should be minimized or eliminated. The useful life of any electronic equipment may be extended by replacing materials near circuitry with sulfide-free alternatives.

Seagate recommends that data centers be kept clean by monitoring and controlling the dust and gaseous contamination. Gaseous contamination should be within ANSI/ISA 571.04-2013 G2 classification levels (as measured on copper and silver coupons), and dust contamination to ISO 14644-1 Class 8 standards, and MTBF rated conditions as defined in the Annualized Failure Rate (AFR) and Mean Time Between Failure (MTBF) section.

3.0 Configuring and Mounting the Drive

This section contains the specifications and instructions for configuring and mounting the drive.

3.1 Handling and Static-Discharge Precautions

After unpacking, and before installation, the drive may be exposed to potential handling and electrostatic discharge (ESD) hazards. Observe the following standard handling and static-discharge precautions.

CAUTION	<ul style="list-style-type: none">• Keep the drive in the electrostatic discharge (ESD) bag until ready for installation to limit the drive's exposure to ESD.• Before handling the drive, put on a grounded wrist strap, or ground yourself frequently by touching the metal chassis of a computer that is plugged into a grounded outlet. Wear a grounded wrist strap throughout the entire installation procedure.• Handle the drive by its edges or frame <i>only</i>.• The drive is extremely fragile—handle it with care. Do not press down on the drive top cover.• Always rest the drive on a padded, antistatic surface until mounting it in the computer.• Do not touch the connector pins or the printed circuit board.• Do not remove the factory-installed labels from the drive or cover them with additional labels. Removal voids the warranty. Some factory-installed labels contain information needed to service the drive. Other labels are used to seal out dirt and contamination.
----------------	--

3.2 Configuring the Drive

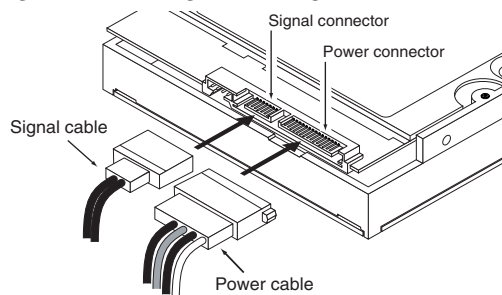
Each drive on the Serial ATA interface connects in a point-to-point configuration with the Serial ATA host adapter. There is no master/slave relationship because each drive is considered a master in a point-to-point relationships. If two drives are attached on one Serial ATA host adapter, the host operating system views the two devices as if they were both "masters" on two separate ports. Both drives behave as if they are Device 0 (master) devices.

3.2.1 Serial ATA Cables and Connectors

The Serial ATA interface cable consists of four conductors in two differential pairs, plus three ground connections. The cable size may be 30 to 26 AWG with a maximum length of one meter (39.37 in). Refer to [Table 12](#) for connector pin definitions. Either end of the SATA signal cable can be attached to the drive or host.

For direct backplane connection, the drive connectors are inserted directly into the host receptacle. The drive and the host receptacle incorporate features that enable the direct connection to be hot pluggable and blind mateable. For installations which require cables, users can connect the drive as shown in [Figure 3](#).

Figure 3 Attaching SATA Cabling



Each cable is keyed to ensure correct orientation.

3.3 Drive Grounding

Care should be taken when mounting the drive in a system chassis. The drive should be mounted using four screws in the side mounting holes (positions **A**, **B**, **C**, and **D** as in [Figure 4](#) and [Figure 5](#)) or bottom mounting holes (positions **1**, **2**, **3**, and **4** as in [Figure 5](#)) grounded to the system chassis. At least one mounting screw is required for proper grounding. See [Figure 4](#) for drive grounding using four screws in the side mounting holes and [Figure 5](#) for drive grounding using four screws in the bottom mounting holes. The sidewall surfaces **A1**, **A2**, **A3** (cross-hatched green shaded areas as in [Figure 4](#)) and the green highlighted area (as labeled in [Figure 5](#)) should not be used for system grounding purposes.

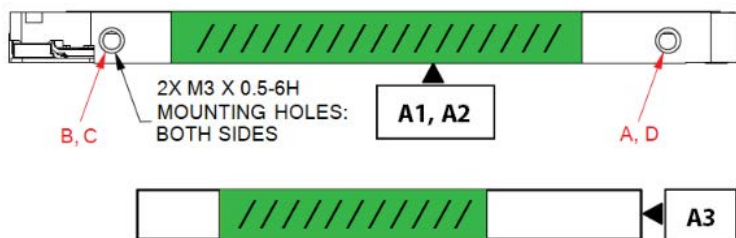


Figure 4 Drive Grounding Side Mounting for 1-disk and 2-disk models)

The green highlighted area (PCBA as in [Figure 5](#)) should never make contact with the system chassis to prevent electrical shorting of the drive. Contact must be limited to side mounting holes (positions **A**, **B**, **C**, and **D** as in [Figure 4](#) and [Figure 5](#)) or bottom mounting holes (positions **1**, **2**, **3**, and **4** as in [Figure 5](#)).

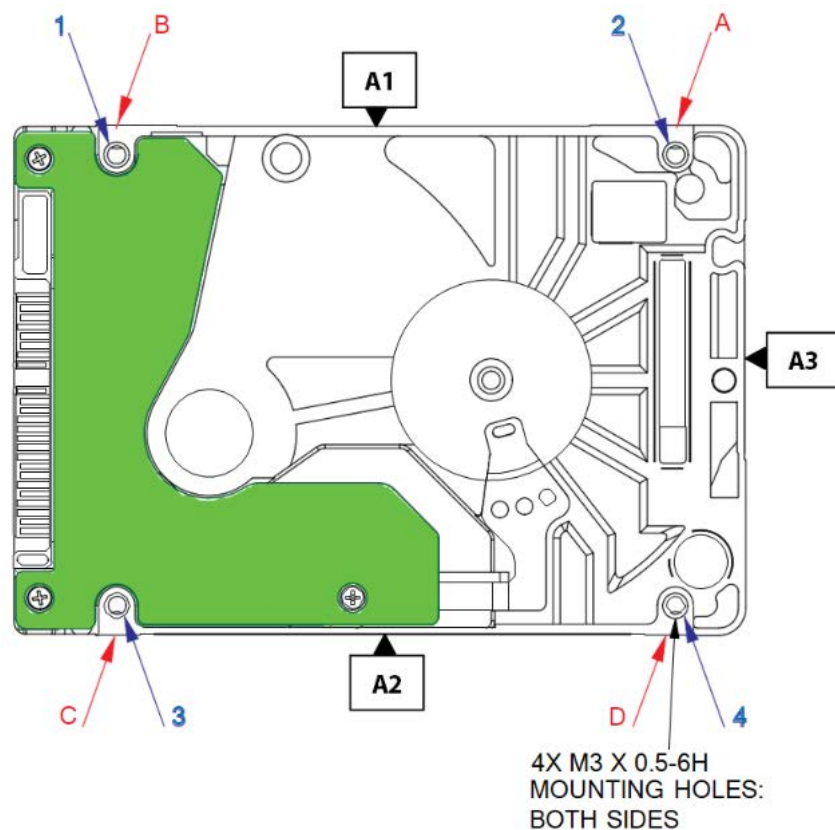


Figure 5 Drive Grounding Bottom Mounting for 1-disk and 2-disk models

Notes:

- Side Mounting - Use four metal screws in positions **A**, **B**, **C**, and **D**.
- Bottom Mounting - Use four metal screws in positions **1**, **2**, **3**, and **4**.
- Do NOT use sides **A1**, **A2** or **A3** for grounding purposes.
- If less than four screws are used, at least one mounting screw is required for proper grounding.

3.4 Drive Mounting

Users can mount the drive in any orientation using four screws in the side-mounting holes or four screws in the bottom-mounting holes. Refer to **Figure 6** through **Figure 8** for drive mounting dimensions. Follow these important mounting precautions when mounting the drive:

- Allow a minimum clearance of 0.030 in (0.76 mm) around the entire perimeter of the drive for cooling.
- Use only M3 x 0.5 mounting screws.
- Do not overtighten the mounting screws. Maximum torque: 4.0 in-lb (0.4519 N-m).
- Four (4) threads (0.080 in, 2.032 mm) minimum screw engagement recommended.
- Avoid excessive drive distortion when mounting. Refer to the following specifications for stiffness/deflection information:

Top cover stiffness/deflection	
Operating: no performance degradation, emitted noise, mechanical damage, or hard errors	10 mm probe: 2.0kgf (typical)
Non-operating: no hard errors	10 mm probe: maximum 2.0kgf (instantaneous)

Figure 6 Mounting Dimensions (for 1-disk models)

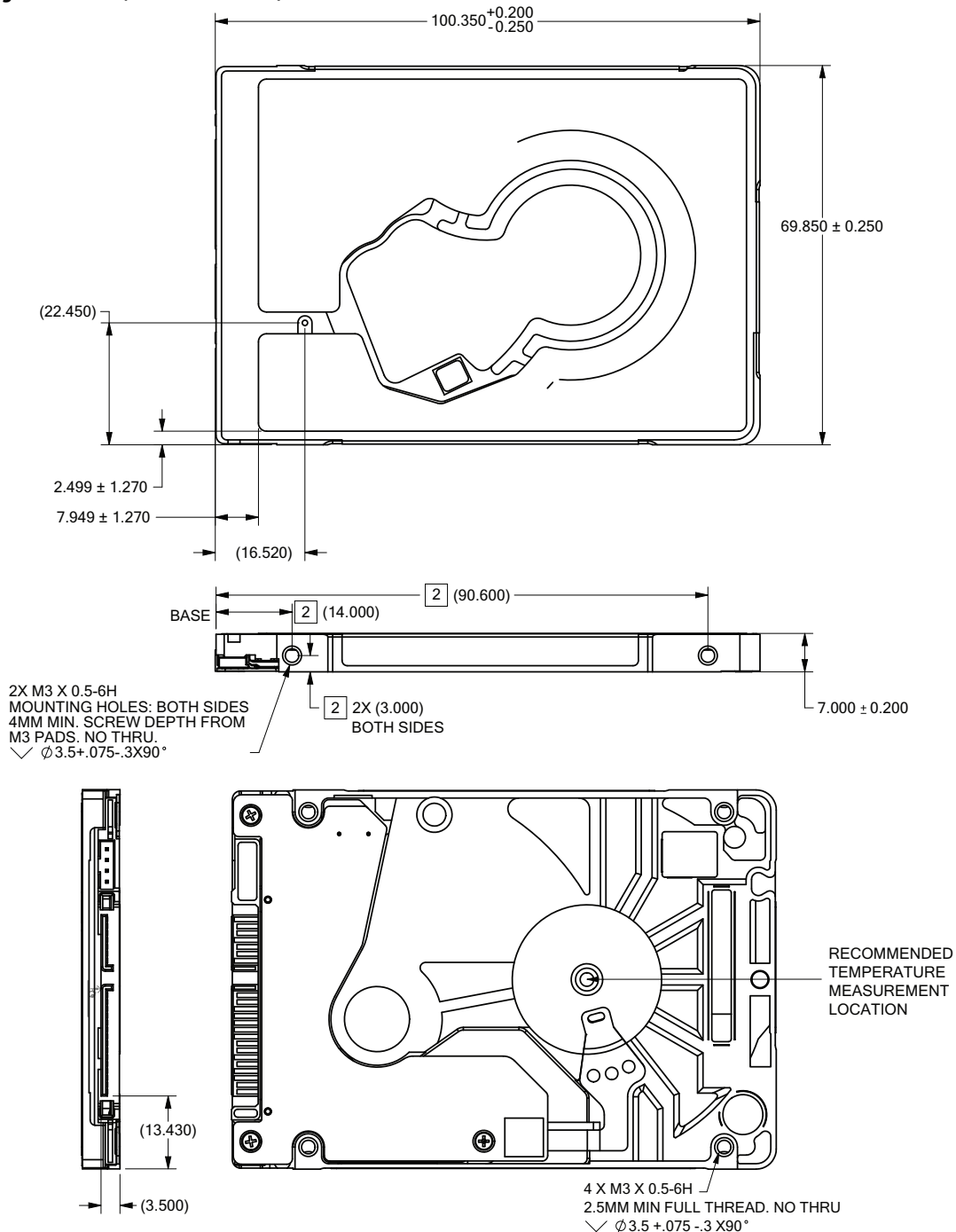


Figure 7 Mounting Dimensions (for 1-disk models) (alternate basedeck)

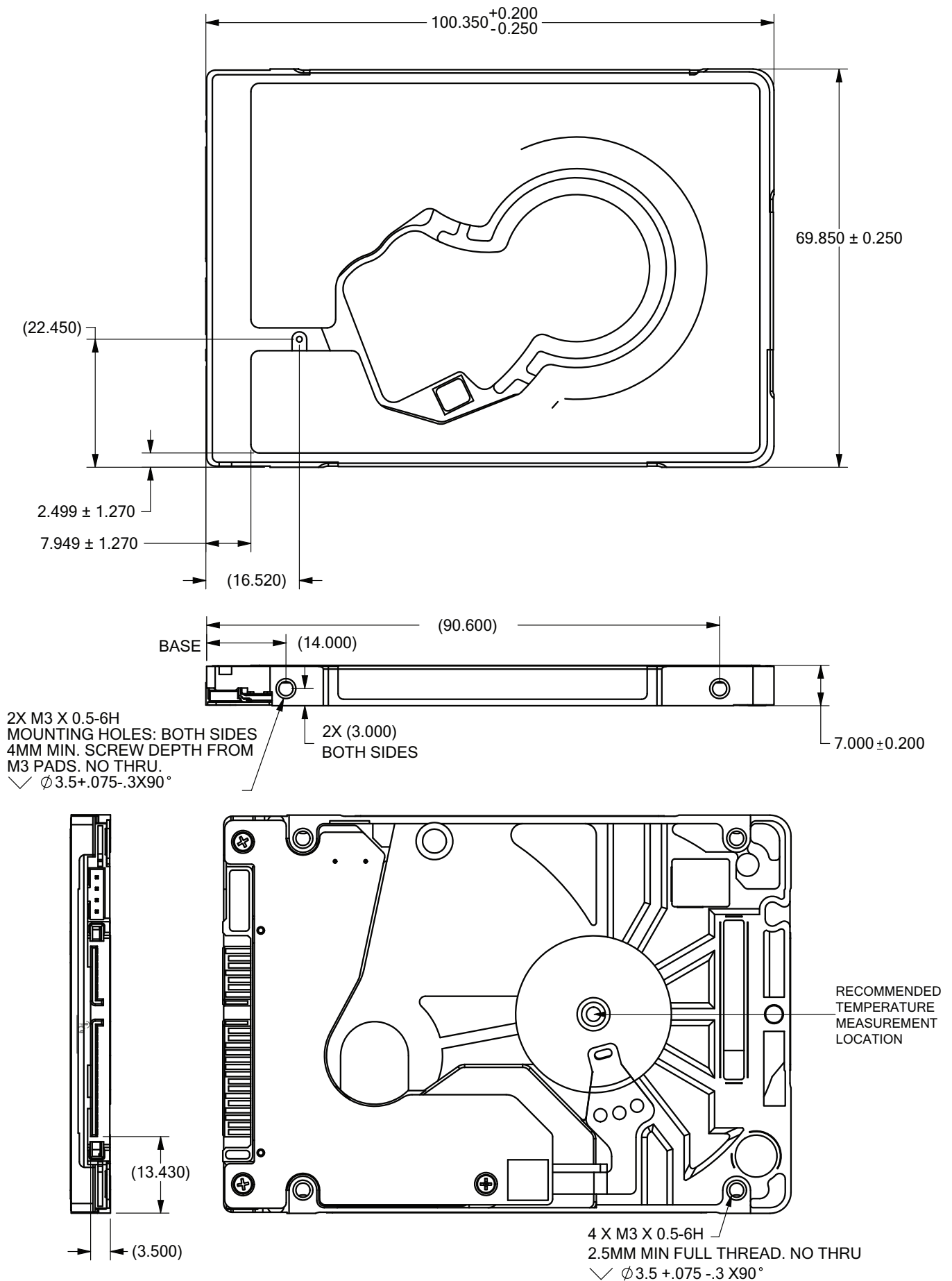
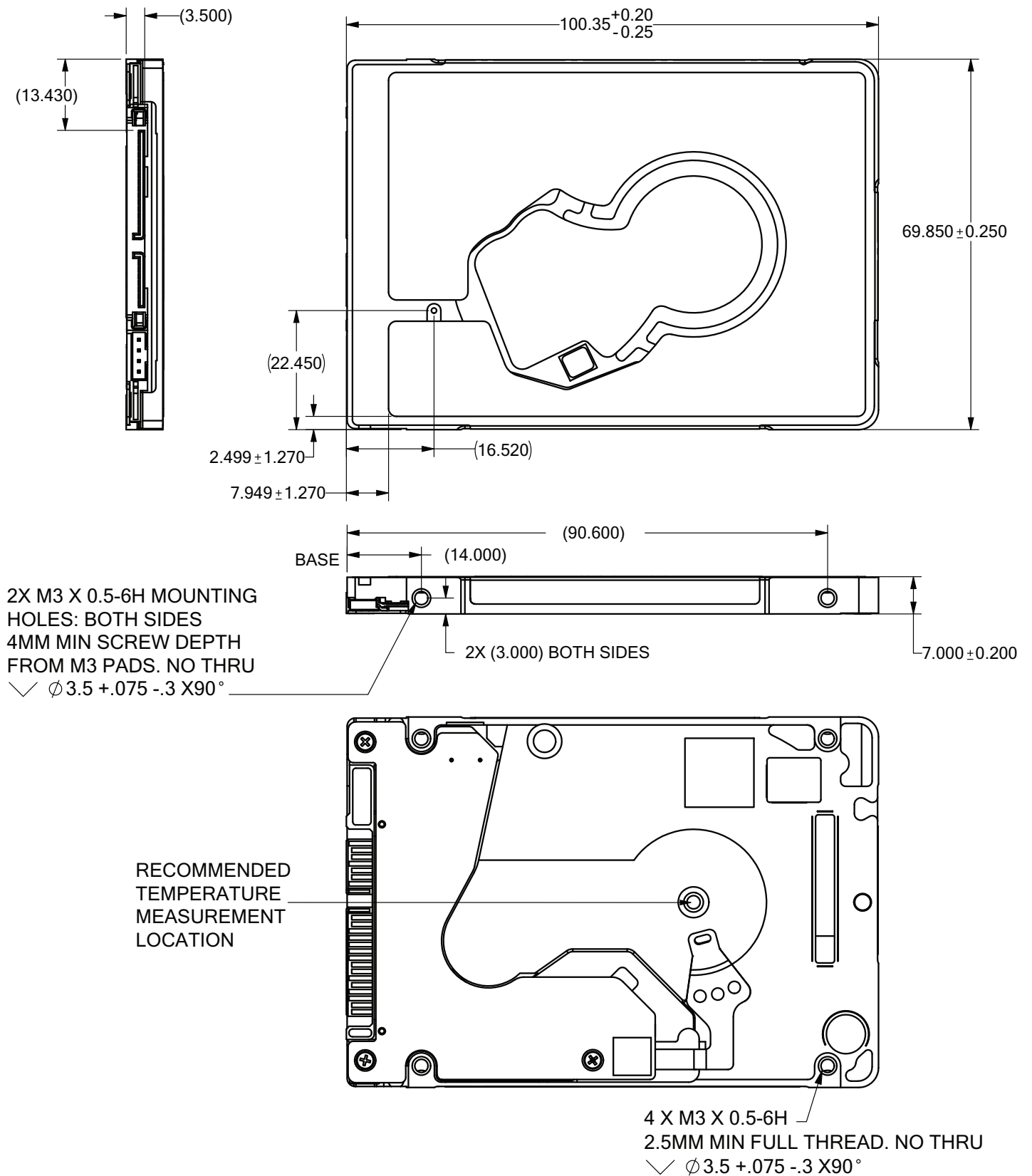


Figure 8 Mounting Dimensions (for 2-disk models)



4.0 Serial ATA (SATA) Interface

These drives use the industry-standard Serial ATA interface that supports FIS data transfers. It supports ATA programmed input/output (PIO) modes 0–4; multiword DMA modes 0–2, and Ultra DMA modes 0–6. The drive also supports the use of the IORDY signal to provide reliable high-speed data transfers.

For detailed information about the Serial ATA interface, refer to the *Serial ATA: High Speed Serialized AT Attachment* specification.

4.1 Hot-Plug Compatibility

SkyHawk drives incorporate connectors which enable users to hot plug these drives in accordance with the Serial ATA: High Speed Serialized AT Attachment specification revision 2.0. This specification can be downloaded from www.serialata.org. This device requires a COMRESET from the host after a hotplug event.

4.2 Serial ATA Device Plug Connector Pin Definitions

Table 12 summarizes the signals on the Serial ATA interface and power connectors. Refer to the **Notes** below.

Table 12 Serial ATA Connector Pin Definitions

Segment	Pin	Function	Definition
Signal	S1	Ground	2nd mate
	S2	A+	Differential signal pair A from Phy
	S3	A-	
	S4	Ground	2nd mate
	S5	B-	Differential signal pair B from Phy
	S6	B+	
	S7	Ground	2nd mate
Key and spacing separate signal and power segments			
Power	P1	V33	3.3V power
	P2	V33	3.3V power
	P3	V33	3.3V power, pre-charge, 2nd mate
	P4	Ground	1st mate
	P5	Ground	2nd mate
	P6	Ground	2nd mate
	P7	V5	5V power, pre-charge, 2nd mate
	P8	V5	5V power
	P9	V5	5V power
	P10	Ground	2nd mate
	P11	Ground or LED signal	If grounded, drive does not use deferred spin
	P12	Ground	1st mate
	P13	V12	12V power, pre-charge, 2nd mate
	P14	V12	12V power
	P15	V12	12V power

Notes

- All pins are in a single row, with a 1.27 mm (0.050 in) pitch.
- The comments on the mating sequence apply to the case of backplane blindmate connector only. In this case, the mating sequences are:
 - the ground pins P4 and P12.
 - the pre-charge power pins and the other ground pins.
 - the signal pins and the rest of the power pins.
- There are three power pins for each voltage. One pin from each voltage is used for pre-charge when installed in a blind-mate backplane configuration.
- All used voltage pins (V_x) must be terminated.

4.3 Supported ATA Commands

Table 13 lists Serial ATA standard commands that the drive supports. For a detailed description of the ATA commands, refer to the *Serial ATA International Organization: Serial ATA* (Revision 2.6). Refer to www.sata-io.org.

Refer to **S.M.A.R.T. commands** on page 34 for details and subcommands used in the S.M.A.R.T. implementation.

Table 13 Supported ATA commands

ATA-standard commands names	Command code (in hex)	
Device Configuration Restore	B1h/C0h	
Device Configuration Freeze Lock	B1h/C1h	
Device Configuration Identify	B1h/C2h	
Device Configuration Set	B1h/C3h	
Download Microcode	92h	
Execute Device Diagnostics	90h	
Flush Cache	E7h	
Flush Cache Extended	EAh	
Identify Device	ECh	
Initialize Device Parameters	91h	
Read Buffer	E4h	
Read DMA	C8h	
Read DMA Extended	25h	
Read DMA without Retries	C9h	
Read Long with Retries	22h	
Read Long without Retries	23h	
Read Multiple	C4h	
Read Multiple Extended	29h	
Read Native Max Address	F8h	
Read Native Max Address Extended	27h	
Read Sectors	20h	
Read Sectors Extended	24h	
Read Sectors without Retries	21h	
Read Verify Sectors	40h	
Read Verify Sectors Extended	42h	
Read Verify Sectors without Retries	41h	
Seek	70h	
Set Features	EFh	
Set Max Address	F9h	
Note: Individual Set Max commands are identified by the value placed in the Set Max Features register as defined to the right.	Address:	00 _H
	Password:	01 _H
	Lock:	02 _H
	Unlock:	03 _H
	Freeze Lock:	04 _H
Set Max Address Ext	37h	
Set Multiple Mode	C6h	
S.M.A.R.T. Disable Operations	B0h/D9h	
S.M.A.R.T. Enable/Disable Autosave	B0h/D2h	
S.M.A.R.T. Enable Operations	B0h/D8h	

Table 13 Supported ATA commands

ATA-standard commands names	Command code (in hex)	
S.M.A.R.T. Enable/Disable Auto Offline	B0h/DBh	
S.M.A.R.T. Enable One Attribute Modification	B0h/E0h	
S.M.A.R.T. Execute Offline	B0h/D4h	
S.M.A.R.T. Free Fall Protection Host Interface	FEh	
S.M.A.R.T. Read Attribute Thresholds	B0h/D1h	
S.M.A.R.T. Read Data	B0h/D0h	
S.M.A.R.T. Read Log Sector	B0h/D5h	
S.M.A.R.T. Return Status	B0h/DAh	
S.M.A.R.T. Save Attribute Values	B0h/D3h	
S.M.A.R.T. Write Attribute Thresholds	B0h/D7h	
S.M.A.R.T. Write Attribute Values	B0h/E1h	
S.M.A.R.T. Write Log Sector	B0h/D6h	
Trusted Receive	5Ch	(SED only)
Trusted Receive DMA	5Dh	(SED only)
Trusted Send	5Eh	(SED only)
Trusted Send DMA	5Fh	(SED only)
Write Buffer	E8h	
Write DMA	CAh	
Write DMA Extended	35h	
Write DMA without Retries	CBh	
Write Long with Retries	32h	
Write Long without Retries	33h	
Write Multiple	C5h	
Write Multiple Extended	39h	
Write Sectors	30h, 31h	
Write Sectors Extended	34h	
ATA-standard power-management commands		
Check Power Mode	E5h	
Idle	E3h	
Idle Immediate	E1h	
Sleep	E6h	
Standby	E2h	
Standby Immediate	E0h	
ATA-standard security commands		
Security Set Password	F1h	
Security Unlock	F2h	
Security Erase Prepare	F3h	
Security Erase Unit	F4h	
Security Freeze Lock	F5h	
Security Disable Password	F6h	

4.3.1 Identify Device command

The Identify Device command (command code EC_H) transfers information about the drive to the host following power up. The data is organized as a single 512-byte block of data, whose contents are shown in [Table 14](#). All reserved bits or words should be set to zero. Parameters listed with an “x” are drive-specific or vary with the state of the drive. Refer to [Drive Specifications](#) on page 7 for default parameter settings.

The following commands contain drive-specific features that may not be included in the Serial ATA specification.

Table 14 Identify Device command

Word	Description	Value
0	Configuration information: • Bit 15: 0 = ATA; 1 = ATAPI • Bit 7: removable media • Bit 6: removable controller • Bit 0: reserved	0C5A _H
1	Number of logical cylinders	16,383
2	Specific configuration	C837 _H
3	Number of logical heads	16
4	Retired	0000 _H
5	Retired	0000 _H
6	Number of logical sectors per logical track: 63	003F _H
7–9	Retired	0000 _H
10–19	Serial number: (20 ASCII characters, 0000 _H = none)	ASCII
20	Retired	0000 _H
21	Retired	8000 _H
22	Obsolete	0004 _H
23–26	Firmware revision: (8 ASCII character string, padded with blanks to end of string)	x.xx
27–46	Drive model number: (40 ASCII characters, padded with blanks to end of string)	ST1000LV000 ST2000LV000
47	(Bits 7–0) Maximum sectors per interrupt on Read multiple and Write multiple (16)	8010 _H
48	Trusted Computing Feature set options	4001 _H
49	Standard Standby timer, IORDY supported and may be disabled	2F00 _H
50	Capabilities	4000 _H
51	PIO data-transfer cycle timing mode	0200 _H
52	Retired	0200 _H
53	Words 54–58, 64–70 and 88 are valid	0007 _H
54	Number of current logical cylinders	xxxx _H
55	Number of current logical heads	xxxx _H
56	Number of current logical sectors per logical track	xxxx _H
57–58	Current capacity in sectors	xxxx _H
59	Number of sectors transferred during a Read Multiple or Write Multiple command	xxxx _H
60–61	Total number of user-addressable sectors This field contains a value that is one greater than the total number of user-addressable sectors. The maximum value that shall be placed in this field is 0FFFFFFh. The 0FFFFFFh value applies to all capacities over 137GB (see Section 2.1, Formatted Capacity for related information).	ST1000LV000 = 0FFFFFFh ST2000LV000 = 0FFFFFFh
62	Retired	0000 _H
63	Multiword DMA active and modes supported (see note following this table)	xx07 _H

Table 14 Identify Device command

Word	Description	Value
64	Advanced PIO modes supported (modes 3 and 4 supported)	0003 _H
65	Minimum multiword DMA transfer cycle time per word (120 ns)	0078 _H
66	Recommended multiword DMA transfer cycle time per word (120 ns)	0078 _H
67	Minimum PIO cycle time without IORDY flow control (240 ns)	0078 _H
68	Minimum PIO cycle time with IORDY flow control (120 ns)	0078 _H
69	Additional Supported bits Bit 4 means Device Encrypts All User Data on the device. Bit 7 means IEEE1667 protocol is supported.	xx1x _H or xx9x _H
70–74	ATA-reserved	0000 _H
75	Queue depth	001F _H
76	Serial ATA capabilities	0D06 _H
77	ATA-reserved	0000 _H
78	Serial ATA features supported	0048 _H
79	Serial ATA features enabled	0048 _H
80	Major version number	01F0 _H
81	Minor version number	0029 _H
82	Command sets supported	746B _H
83	Command sets supported	7D69 _H
84	Command sets support extension	61E3 _H
85	Command sets enabled	7469
86	Command sets enabled	BC49 _H
87	Command sets enable extension	61E3 _H
88	Ultra DMA support and current mode (see note following this table)	xx7F _H
89	Security erase time	xxxx _H
90	Enhanced security erase time	xxxx _H
91	Current APM values	8080 _H
92	Master password revision code	FFFE _H
93	Hardware reset value (see description following this table)	xxxx _H
94	Auto acoustic management setting	xxxx _H
95	Stream Min. Request Size	0000 _H
96	Streaming Transfer Time - DMA	0000 _H
97	Streaming Access Latency - DMA and PIO	0000 _H
98-99	Streaming Performance Granularity	0000 _H
100–103	Total number of user-addressable LBA sectors available (see Section 3.2, Configuring the Drive for related information) These words are required for drives that support the 48-bit addressing feature. Maximum value: 0000FFFFFFFF _H .	ST1000LV000 = 1,953,525,168 ST2000LV000 = 3,907,029,168
104	Streaming Transfer Time - PIO	0000 _H
105	Reserved	0000 _H
106	Physical sector size / Logical sector size	6003 _H

Table 14 Identify Device command

Word	Description	Value
107	Seagate reserved	0000 _H
108-111	The mandatory value of the world wide name (WWN) for the drive. NOTE: This field is valid if word 84, bit 8 is set to 1 indicating 64-bit WWN support.	Each drive will have a unique value.
112-118	ATA-reserved	0000 _H
119	Free Fall Protection support (bit 5)	1 = Free Fall Protection supported 0 = Free Fall Protection not supported
120	Free Fall Protection enable/disable (bit 5)	1 = Free Fall Protection feature is enabled 0 = Free Fall Protection feature is disabled
121-127	ATA-reserved	0000 _H
128	Security status	0021 _H
129-159	Seagate-reserved	xxxx _H
160-221	ATA-reserved	0000 _H
222	Transport major version number	101F _H
223-254	ATA-reserved	0000 _H
255	Integrity word	xxA5 _H

Note	See the bit descriptions below for words 63, 88 and 93 of the Identify Drive data. (on next page)
-------------	---

Table 15 Bit Descriptions

Description (if bit is set to 1)	
Bit	Word 63
0	Multiword DMA mode 0 is supported.
1	Multiword DMA mode 1 is supported.
2	Multiword DMA mode 2 is supported.
8	Multiword DMA mode 0 is currently active.
9	Multiword DMA mode 1 is currently active.
10	Multiword DMA mode 2 is currently active.
Bit	Word 88
0	Ultra DMA mode 0 is supported.
1	Ultra DMA mode 1 is supported.
2	Ultra DMA mode 2 is supported.
3	Ultra DMA mode 3 is supported.
4	Ultra DMA mode 4 is supported.
5	Ultra DMA mode 5 is supported.
6	Ultra DMA mode 6 is supported.
8	Ultra DMA mode 0 is currently active.
9	Ultra DMA mode 1 is currently active.
10	Ultra DMA mode 2 is currently active.
11	Ultra DMA mode 3 is currently active.
12	Ultra DMA mode 4 is currently active.
13	Ultra DMA mode 5 is currently active.
14	Ultra DMA mode 6 is currently active.
Bit	Word 93
13	1 = 80-conductor cable detected, CBLID above VIH 0 = 40-conductor cable detected, CBLID below VIL

4.3.2 Set Features command

This command controls the implementation of various features that the drive supports. When the drive receives this command, it sets BSY, checks the contents of the Features register, clears BSY and generates an interrupt. If the value in the register does not represent a feature that the drive supports, the command is aborted. Power-on default has the read look-ahead and write caching features enabled.

The acceptable values for the Features register are defined as follows:

Table 16 Set Features command values

02 _H	Enable write cache (<i>default</i>).
03 _H	Set transfer mode (based on value in Sector Count register). Sector Count register values: 00 _H Set PIO mode to default (PIO mode 2). 01 _H Set PIO mode to default and disable IORDY (PIO mode 2). 08 _H PIO mode 0 09 _H PIO mode 1 0A _H PIO mode 2 0B _H PIO mode 3 0C _H PIO mode 4 (<i>default</i>) 20 _H Multiword DMA mode 0 21 _H Multiword DMA mode 1 22 _H Multiword DMA mode 2 40 _H Ultra DMA mode 0 41 _H Ultra DMA mode 1 42 _H Ultra DMA mode 2 43 _H Ultra DMA mode 3 44 _H Ultra DMA mode 4 45 _H Ultra DMA mode 5 46 _H Ultra DMA mode 6
55 _H	Disable read look-ahead (read cache) feature.
82 _H	Disable write cache
AA _H	Enable read look-ahead (read cache) feature (<i>default</i>).
C1 _H	Disable the Free Fall Protection feature (41 _H above enables the Free Fall Protection feature)
F1 _H	Report full capacity available

Note At power-on, or after a hardware or software reset, the default values of the features are as indicated above

4.3.3 S.M.A.R.T. commands

S.M.A.R.T. provides near-term failure prediction for disk drives. When S.M.A.R.T. is enabled, the drive monitors predetermined drive attributes that are susceptible to degradation over time. If self-monitoring determines that a failure is likely, S.M.A.R.T. makes a status report available to the host. Not all failures are predictable. S.M.A.R.T. predictability is limited to the attributes the drive can monitor. For more information on S.M.A.R.T. commands and implementation, see the *Draft ATA-5 Standard*.

SeaTools diagnostic software activates a built-in drive self-test (DST S.M.A.R.T. command for D4_H) that eliminates unnecessary drive returns. The diagnostic software ships with all new drives and is also available at:

<http://www.seagate.com/support/downloads/seatools/>.

This drive is shipped with S.M.A.R.T. features disabled. Users must have a recent BIOS or software package that supports S.M.A.R.T. to enable this feature. The table below shows the S.M.A.R.T. command codes that the drive uses.

Table 17 S.M.A.R.T. Commands

Code in features register	S.M.A.R.T. command
D0 _H	S.M.A.R.T. Read Data
D2 _H	S.M.A.R.T. Enable/Disable Attribute Autosave
D3 _H	S.M.A.R.T. Save Attribute Values
D4 _H	S.M.A.R.T. Execute Off-line Immediate (runs DST)
D5 _H	S.M.A.R.T. Read Log Sector
D6 _H	S.M.A.R.T. Write Log Sector
D8 _H	S.M.A.R.T. Enable Operations
D9 _H	S.M.A.R.T. Disable Operations
DA _H	S.M.A.R.T. Return Status

Note

If an appropriate code is not written to the Features Register, the command is aborted and 0x04 (abort) is written to the Error register.



Seagate Technology LLC

AMERICAS Seagate Technology LLC 10200 South De Anza Boulevard, Cupertino, California 95014, United States, 408-658-1000

ASIA/PACIFIC Seagate Singapore International Headquarters Pte. Ltd. 90 Woodlands Avenue 7, Singapore 737911, 65-6412-3666

EUROPE, MIDDLE EAST AND AFRICA Seagate Technology (Netherlands) B.V. Koolhovenlaan 1, 1119 NB Schiphol-Rijk, Netherlands, 31-20-316-7300

Publication Number: 100813751, Rev. E

February 2019